

CHROME POLISHED BEAUTIFUL THERMOSTATIC RECESSED CEILING MOUNT LED RAINFALL SHOWER SYSTEM WITH HANDHELD SHOWER AND JETTED BODY SPRAYS INSTALLATION INSTRUCTIONS



PRIOR TO INSTALLATION

Please read installation instructions below. All plumbing should be installed in accordance with applicable building codes and regulations.

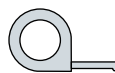
Unpack and inspect the items for any shipping damages. If you find damages, do not install.

All products must be installed by a professional and certified plumber otherwise warranty may be voided.

POSSIBLE TOOLS REQUIRED*



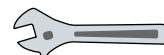
Plumbers Tape



Tape Measure



Level



Adjustable Wrench



Hex Wrench



Thread Sealant



Drill

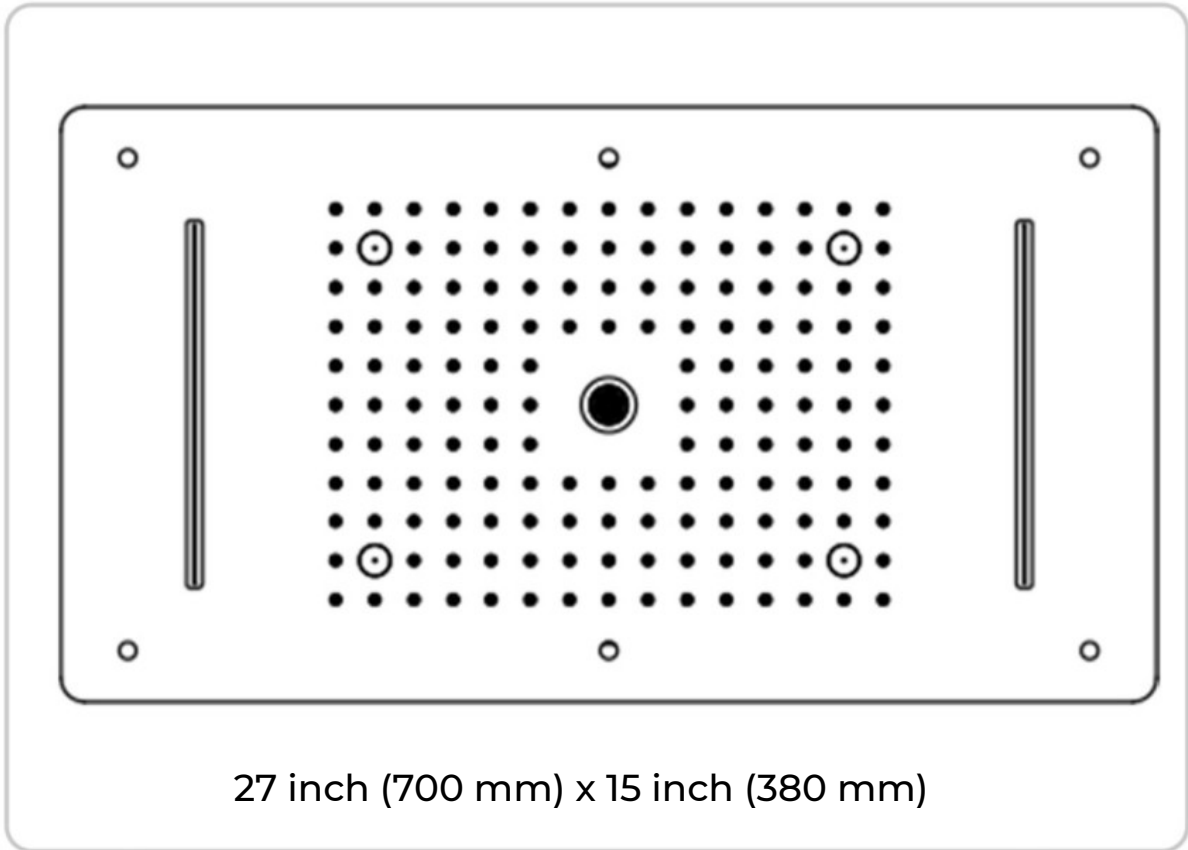


Pencil or Marker



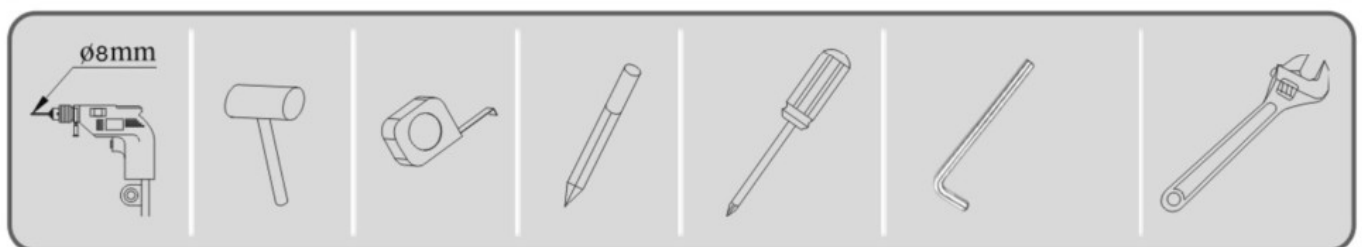
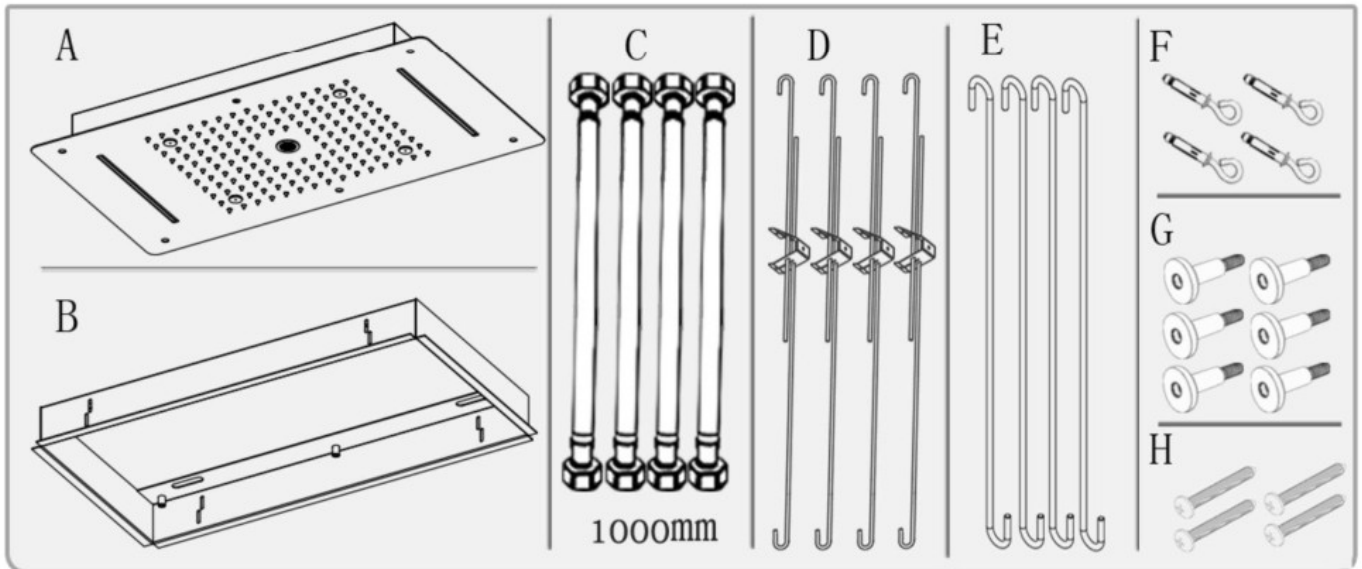
Screwdriver

*not included



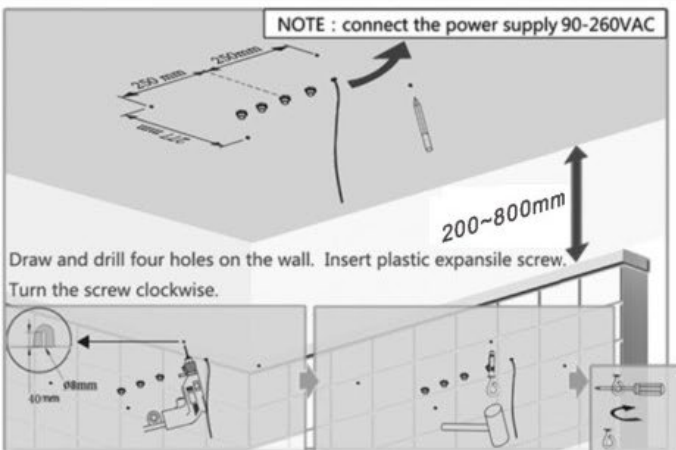
27 inch (700 mm) x 15 inch (380 mm)

Before installing , to take out six screws "G" from the plate of shower head , separate shower hold "B" from shower head

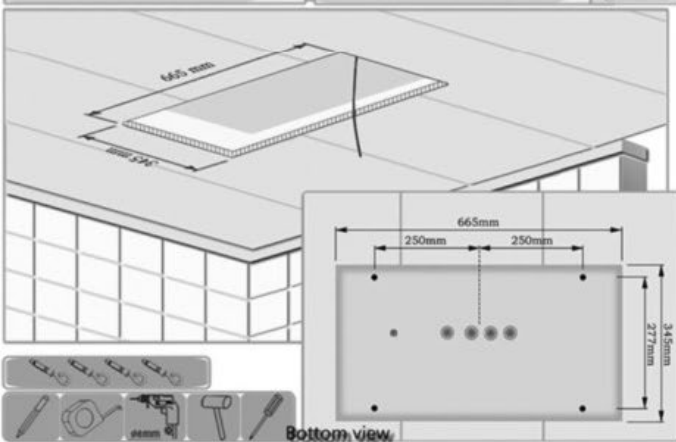


1

NOTE : connect the power supply 90-260VAC

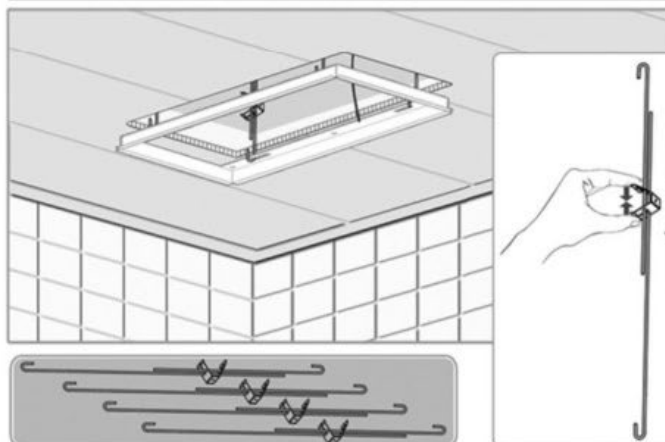
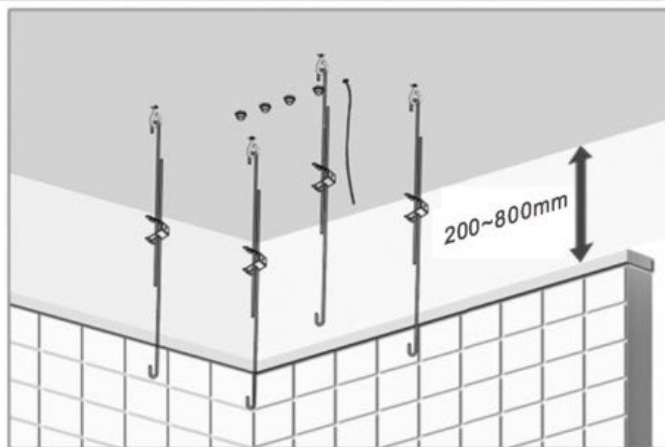


Draw and drill four holes on the wall. Insert plastic expansible screw. Turn the screw clockwise.



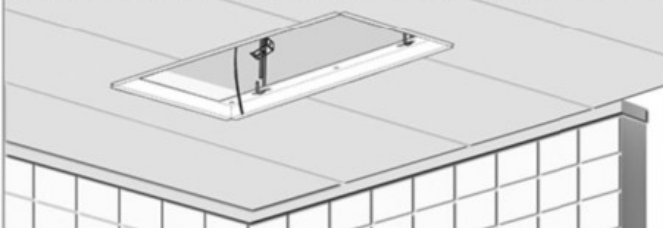
Bottom view

2

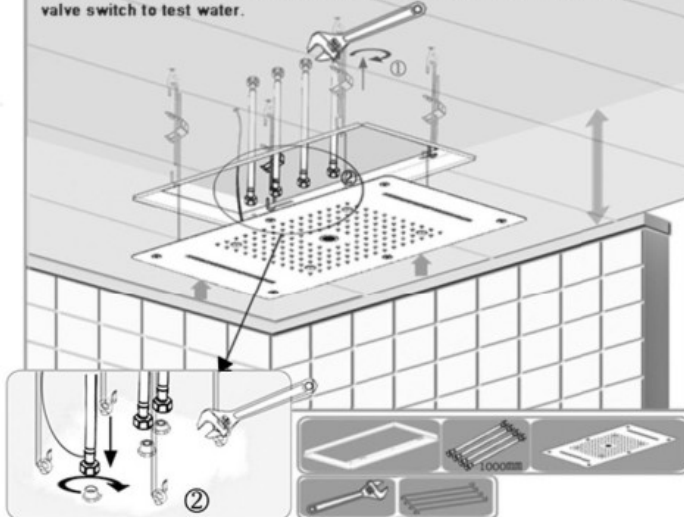


3

Adjust the expansion link. Make sure the holder is at the same line with ceiling.

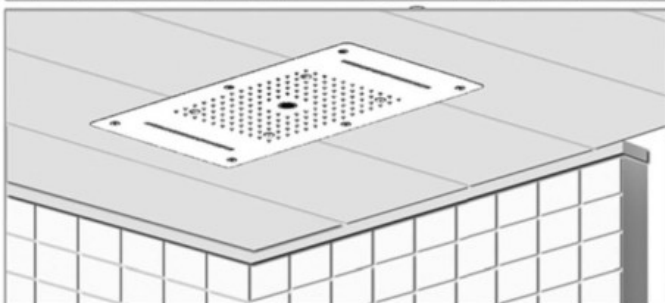
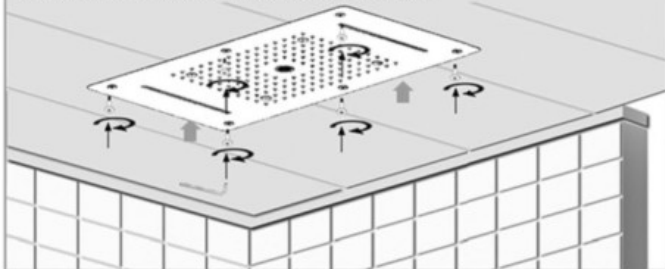


Respectively hang the end of four "S" shaped bars to be on the holder, the other end is hung to be one of the four rings on the back of shower head, then using the one of the end of three flexible braided hoses is connected with the water inlet pipe, the other end is connected with the joint of shower head, then to open the valve switch to test water.



4

Remove "S" shaped bars, closely shower head to holder, rotary screws to fix shower head to be on holder.



5mm

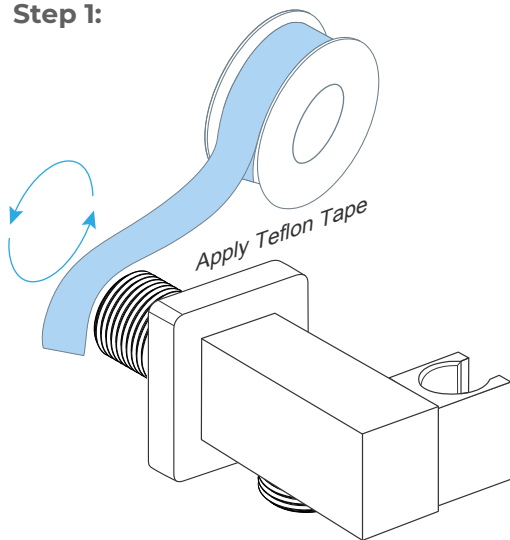
Before using, please buy a pair of AAA7# battery then put into the controller.



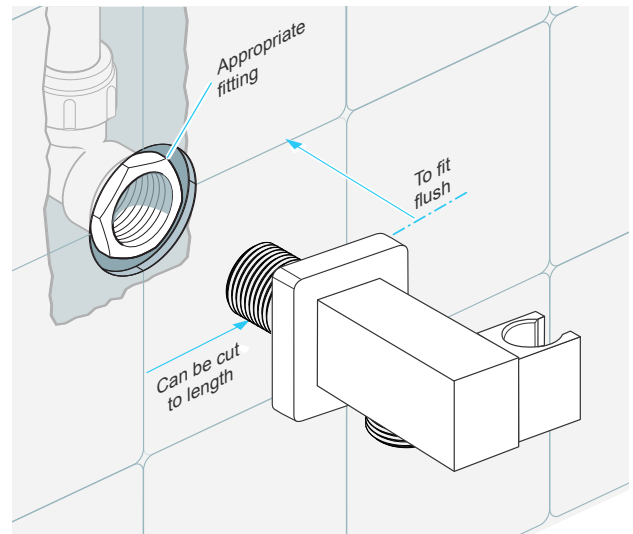
INSTALLATION IS COMPLETE

Hand Shower Installation Instructions

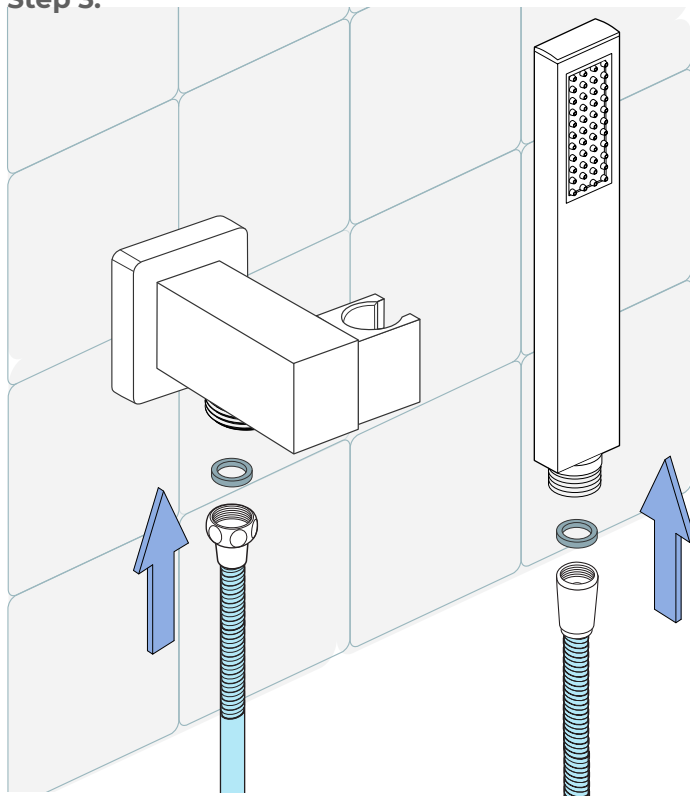
Step 1:



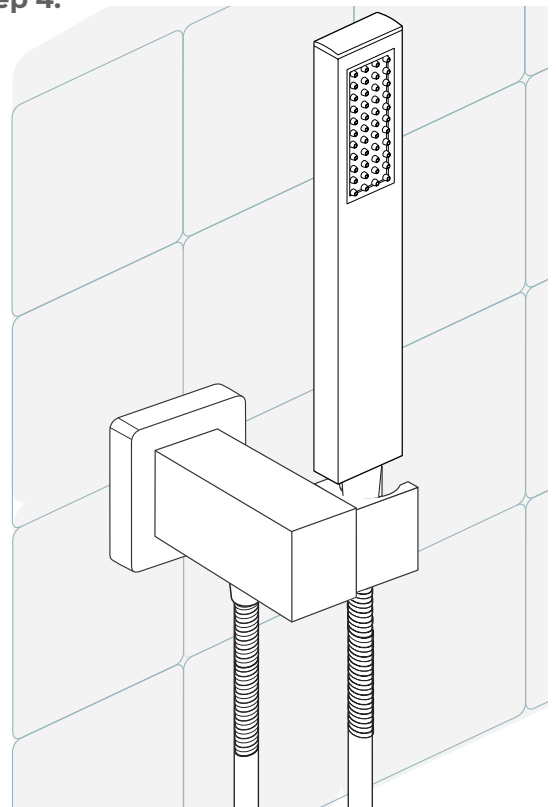
Step 2:



Step 3:



Step 4:



Hand Shower Outlet Installation

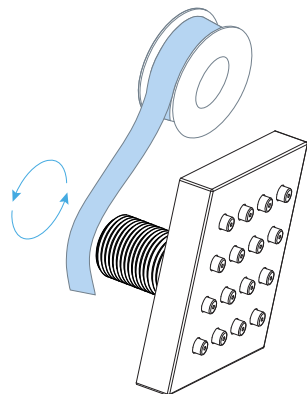
• Complete the outlet pipework ensuring it ends in an appropriate 15mm x 1/2" BSP female thread elbow.
Note: This fitting is not supplied as variations in installations require the selection of a suitable solder or compression fitting.

• Install the 'Wall Outlet', thread long male 1/2" BSP into the appropriate female fitting using PTFE tape to give a watertight joint.

Note: The thread can be cut to size if required. Make sure that all debris is removed from the connector and the section that has been cut is dressed correctly, before installation.

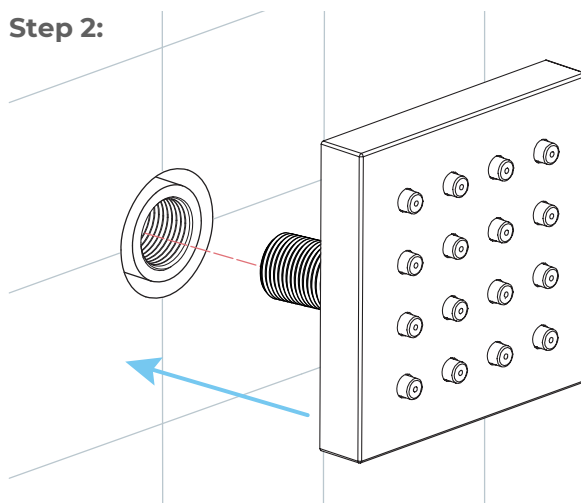
Body Jets Spray Installations Instruction

Step 1:



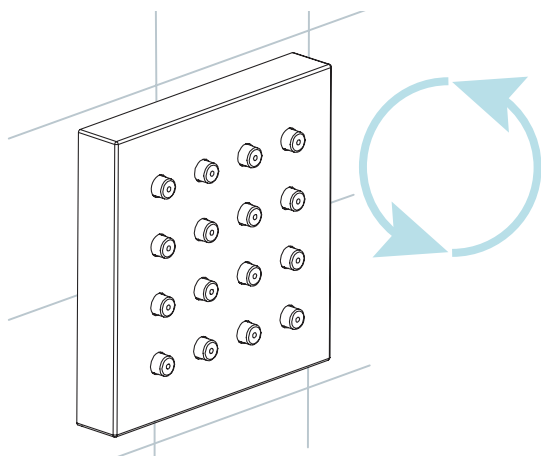
Apply teflon tape to threaded tail pipe of the body spray.

Step 2:



Press the escutcheon against the finished wall.

Step 3:



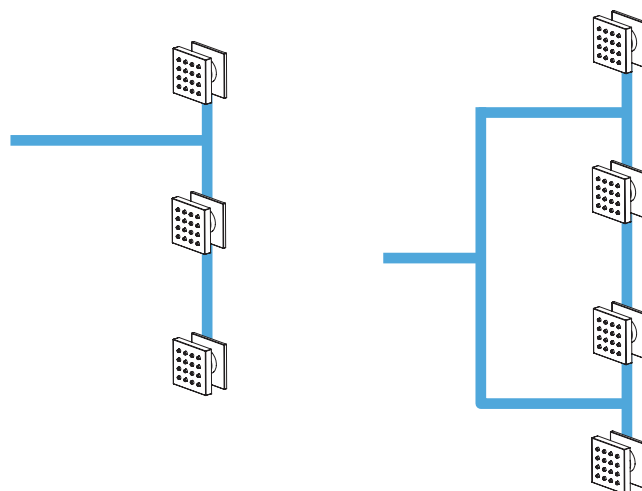
Screw the Body spray tightly into the female of water Supply.

Step 4:



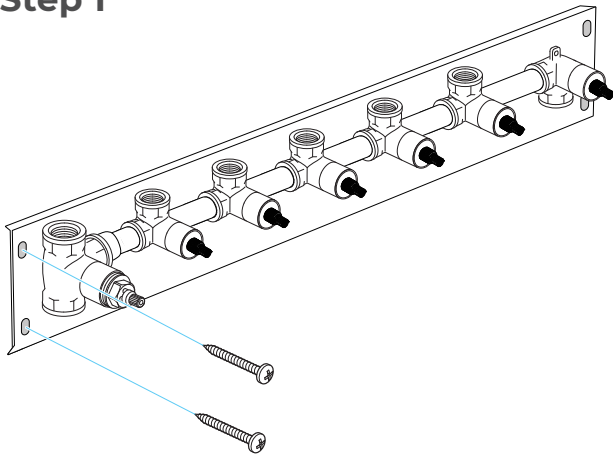
Pressure Balancing Loop:

- If installing bodysprays in a bank of 3 or fewer, a pressure balancing loop is not necessary.
- If installing bodysprays in a bank of 4 or greater, a pressure balancing loop must be used to keep the pressure even between the bodysprays.

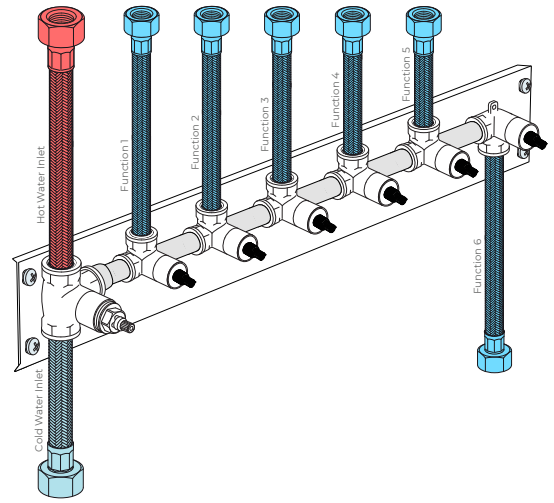


Mixer Installations Instructions

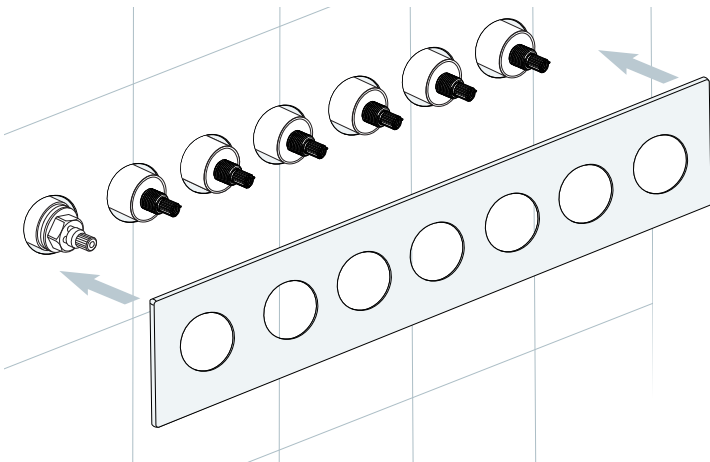
Step 1



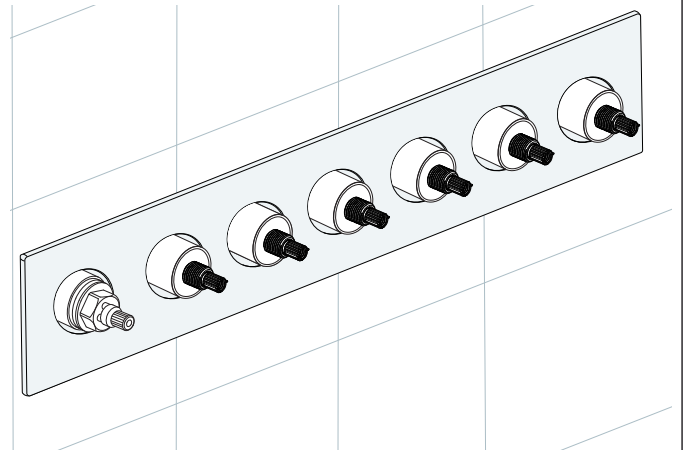
Step 2



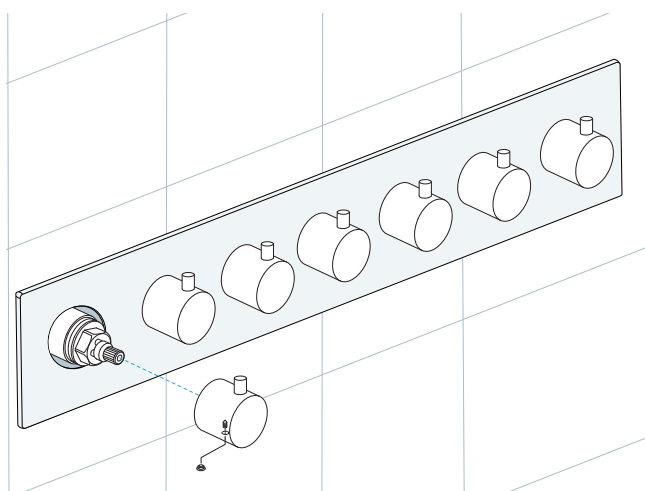
Step 3



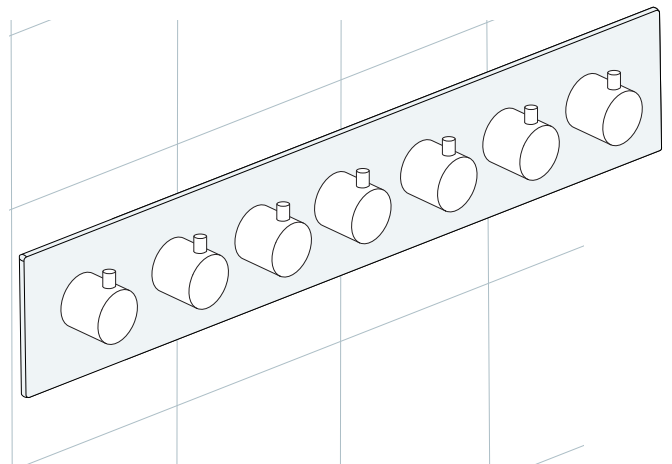
Step 4



Step 5



Step 6



General Information

All products manufactured and supplied by Fontana are safe and comply to legislative requirements. Providing they are installed correctly and receive regular maintenance in accordance with these instructions your user experience will not be affected.

Care & Cleaning

1. The product can be cleaned with warm water, a mild soap and a clean soft cloth.
2. Clean progressively and gently.
3. It is not required to use any abrasive cleaning pads, wire wool or cloths to clean the product.
4. Avoid a vigorous cleaning action, as this could contribute to denaturing and dulling
5. Abrasive or strong cleaning products containing ammonia, bleaches, alcohol, dyes, acids (hydrochloric, formic, phosphorus, chlorine or acetic) will be not be affected.
6. If using a spray cleaner, apply the cleaning agent onto a soft cloth, never directly spray onto the product as the cleaner may enter gaps and openings and cause damage. Do not allow the cleaner to remain on the product for a period of time. After cleaning, rinse thoroughly with clean water.

