

**ROSE GOLD THERMOSTATIC PHONE CONTROLLED MUSICAL RECESSED CEILING MOUNT MIST WATERFALL RAINFALL SHOWER SYSTEM WITH HAND SHOWER INSTALLATION INSTRUCTIONS**




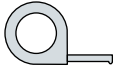







**PRIOR TO INSTALLATION**

Please read installation instructions below. All plumbing should be installed in accordance with applicable building codes and regulations.

Unpack and inspect the items for any shipping damages. If you find damages, do not install.

All products must be installed by a professional and certified plumber otherwise warranty may be voided.

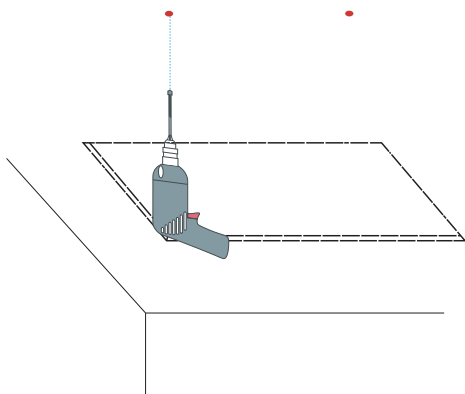
**POSSIBLE TOOLS REQUIRED\***

- |   |   |   |   |   |
|---|---|---|---|---|
|  |  |  |  |  |
| Plumbers Tape   | Tape Measure  | Level   | Adjustable Wrench   | Hex Wrench  |
|  |  |  |  |   |
| Thread Sealant  | Drill   | Pencil or Marker  | Screwdriver   |   |

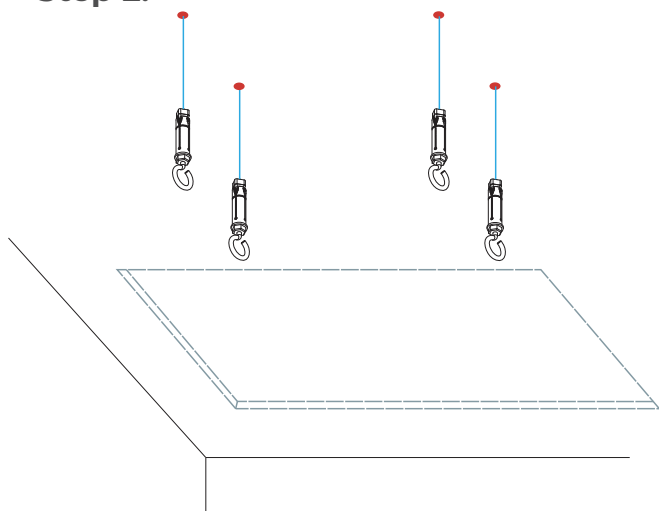
\*not included

## Shower Head Installations Instruction

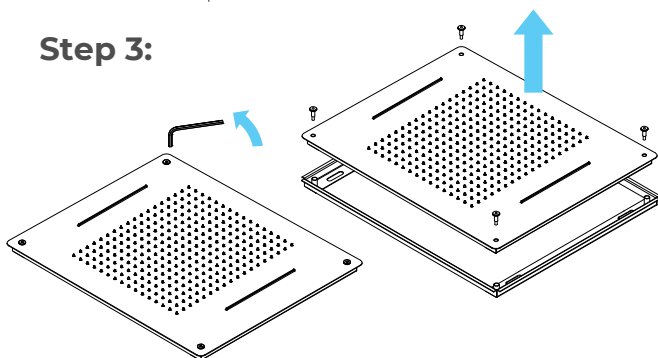
Step 1:



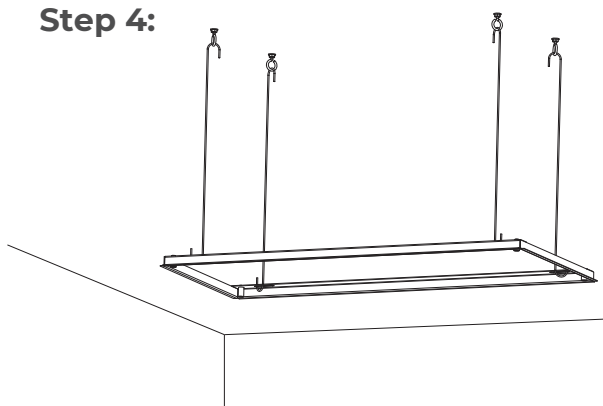
Step 2:



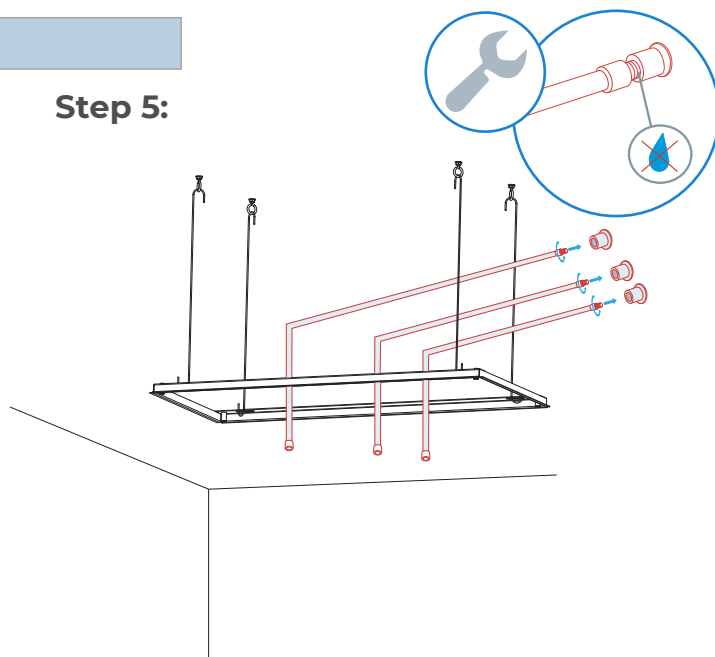
Step 3:



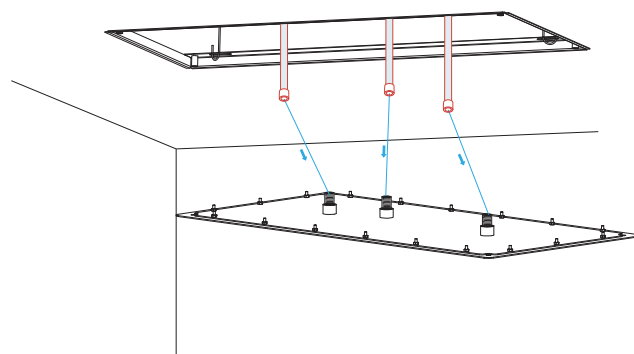
Step 4:



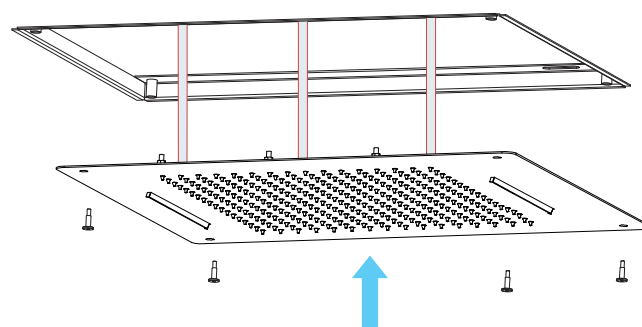
Step 5:



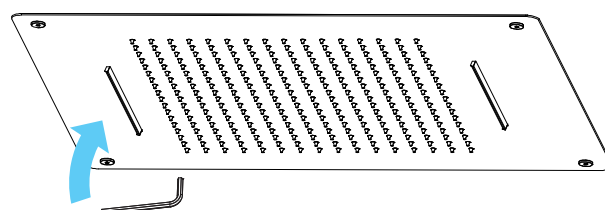
Step 6:



Step 7:

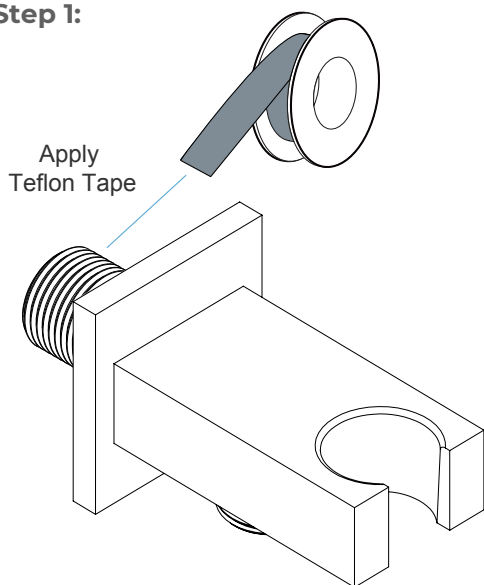


Step 8:

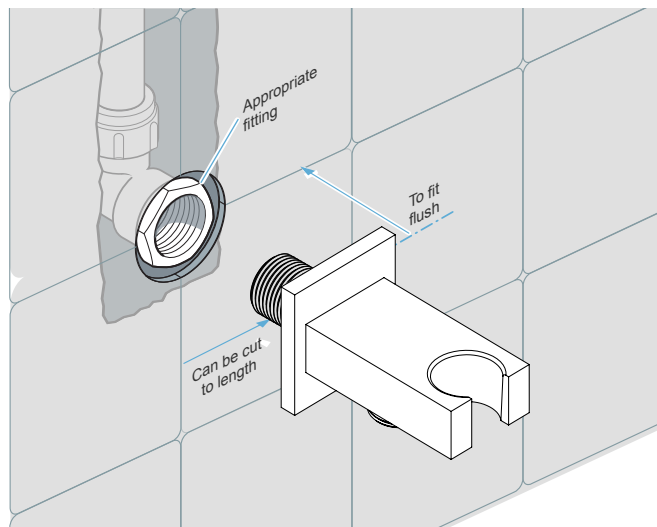


## Hand Shower Installations Instruction

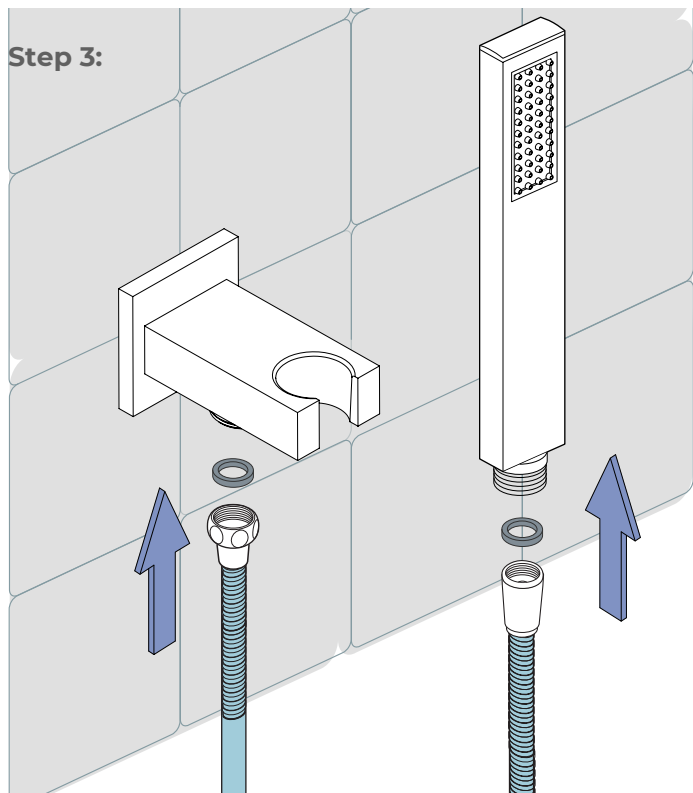
### Step 1:



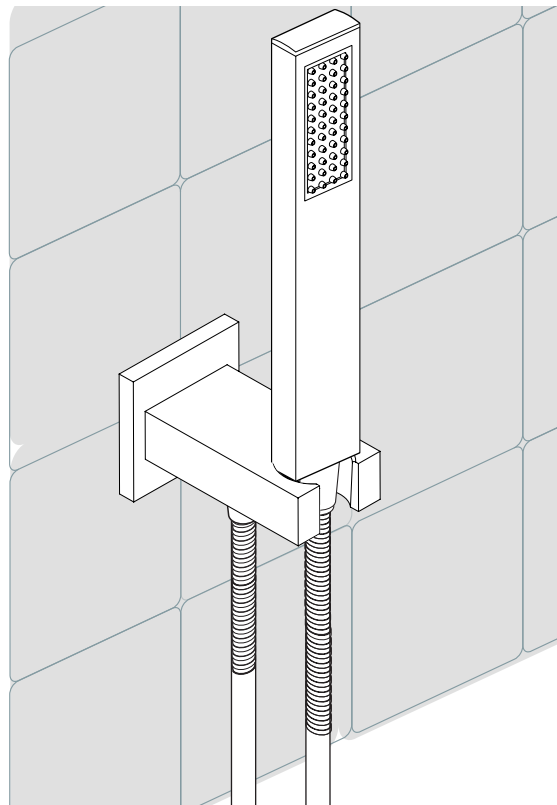
### Step 2:



### Step 3:



### Step 4:



### Hand Shower Outlet Installation

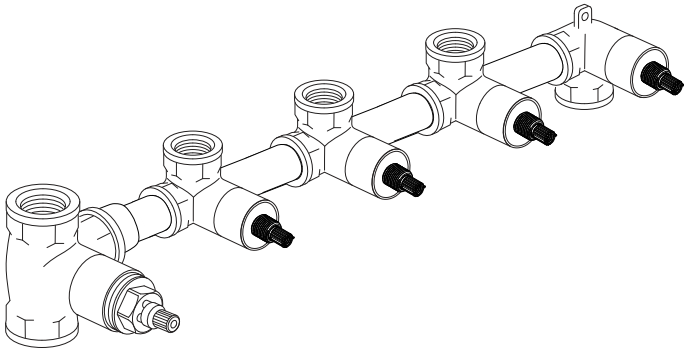
• Complete the outlet pipework ensuring it ends in an appropriate 15mm x 1/2" BSP female thread elbow.  
**Note:** This fitting is not supplied as variations in installations require the selection of a suitable solder or compression fitting.

• Install the 'Wall Outlet', thread long male 1/2" BSP into the appropriate female fitting using PTFE tape to give a watertight joint.

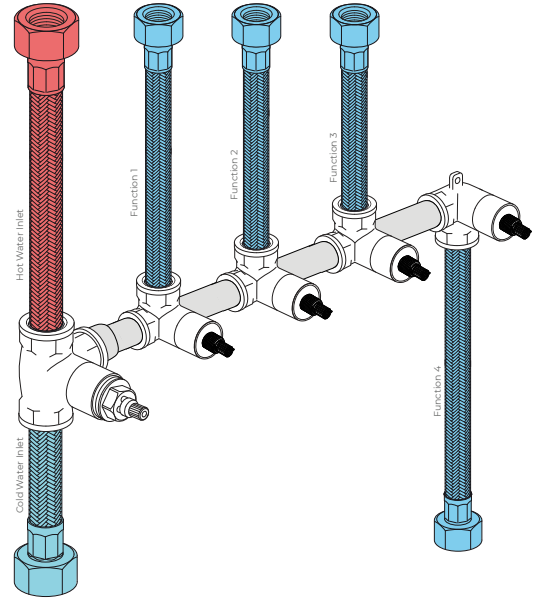
**Note:** The thread can be cut to size if required. Make sure that all debris is removed from the connector and the section that has been cut is dressed correctly, before installation.

## Mixer Installations Instructions

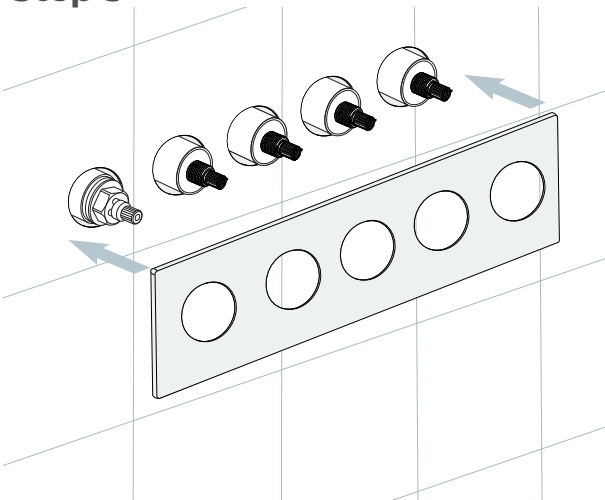
### Step 1



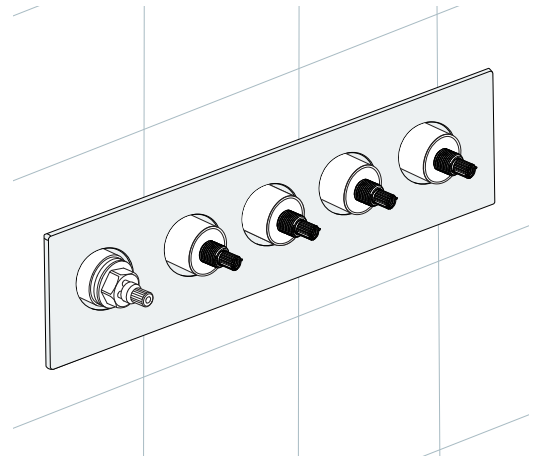
### Step 2



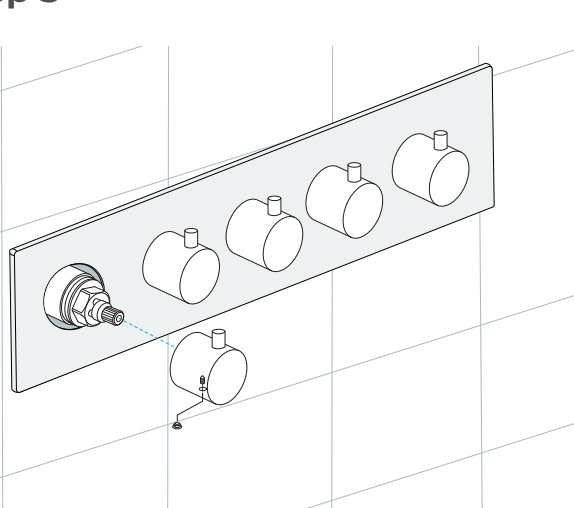
### Step 3



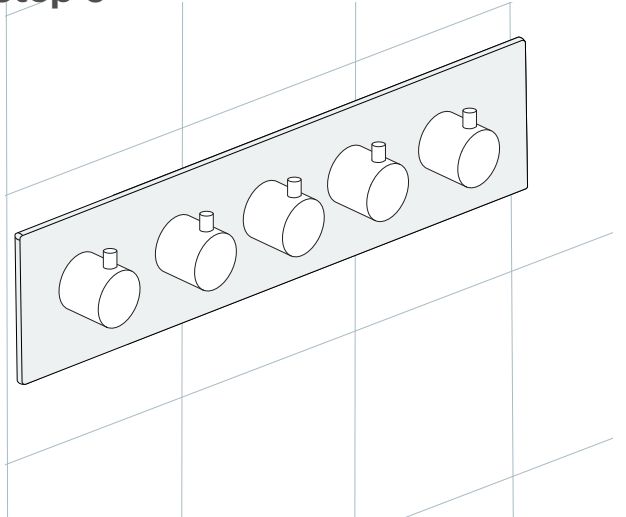
### Step 4



### Step 5



### Step 6



## General Information

All products manufactured and supplied by Fontana are safe and comply to legislative requirements. Providing they are installed correctly and receive regular maintenance in accordance with these instructions your user experience will not be affected.

## Care & Cleaning

1. The product can be cleaned with warm water, a mild soap and a clean soft cloth.
2. Clean progressively and gently.
3. It is not required to use any abrasive cleaning pads, wire wool or cloths to clean the product.
4. Avoid a vigorous cleaning action, as this could contribute to denaturing and dulling
5. Abrasive or strong cleaning products containing ammonia, bleaches, alcohol, dyes, acids (hydrochloric, formic, phosphorus, chlorine or acetic) will be not be affected.
6. If using a spray cleaner, apply the cleaning agent onto a soft cloth, never directly spray onto the product as the cleaner may enter gaps and openings and cause damage. Do not allow the cleaner to remain on the product for a period of time. After cleaning, rinse thoroughly with clean water.

