

ACRYLIC WHITE FREESTANDING INDOOR BATHTUB INSTALLATION INSTRUCTIONS



PRIOR TO INSTALLATION

Please read installation instructions below. All plumbing should be installed in accordance with applicable building codes and regulations.

Unpack and inspect the items for any shipping damages. If you find damages, do not install.

All products must be installed by a professional and certified plumber otherwise warranty may be voided.

POSSIBLE TOOLS REQUIRED*



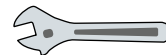
Plumbers Tape



Tape Measure



Level



Adjustable Wrench



Hex Wrench



Thread Sealant



Drill



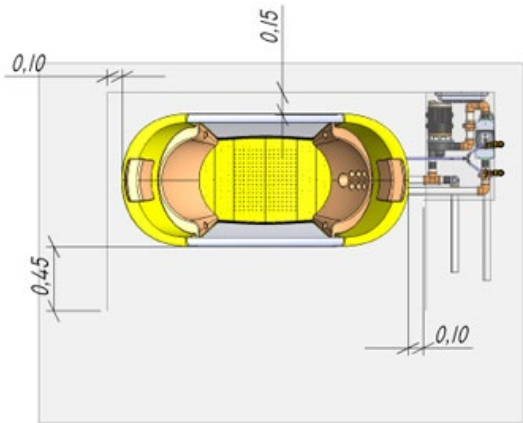
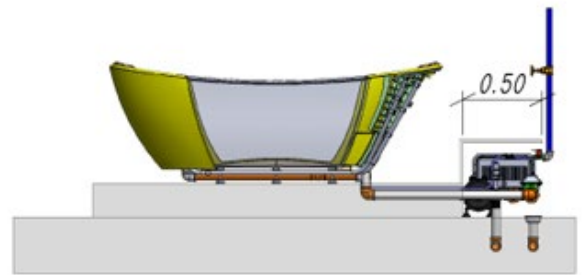
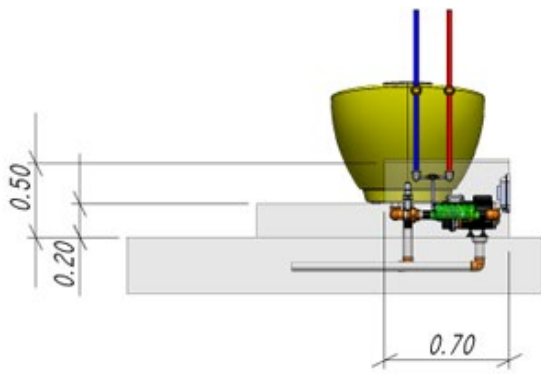
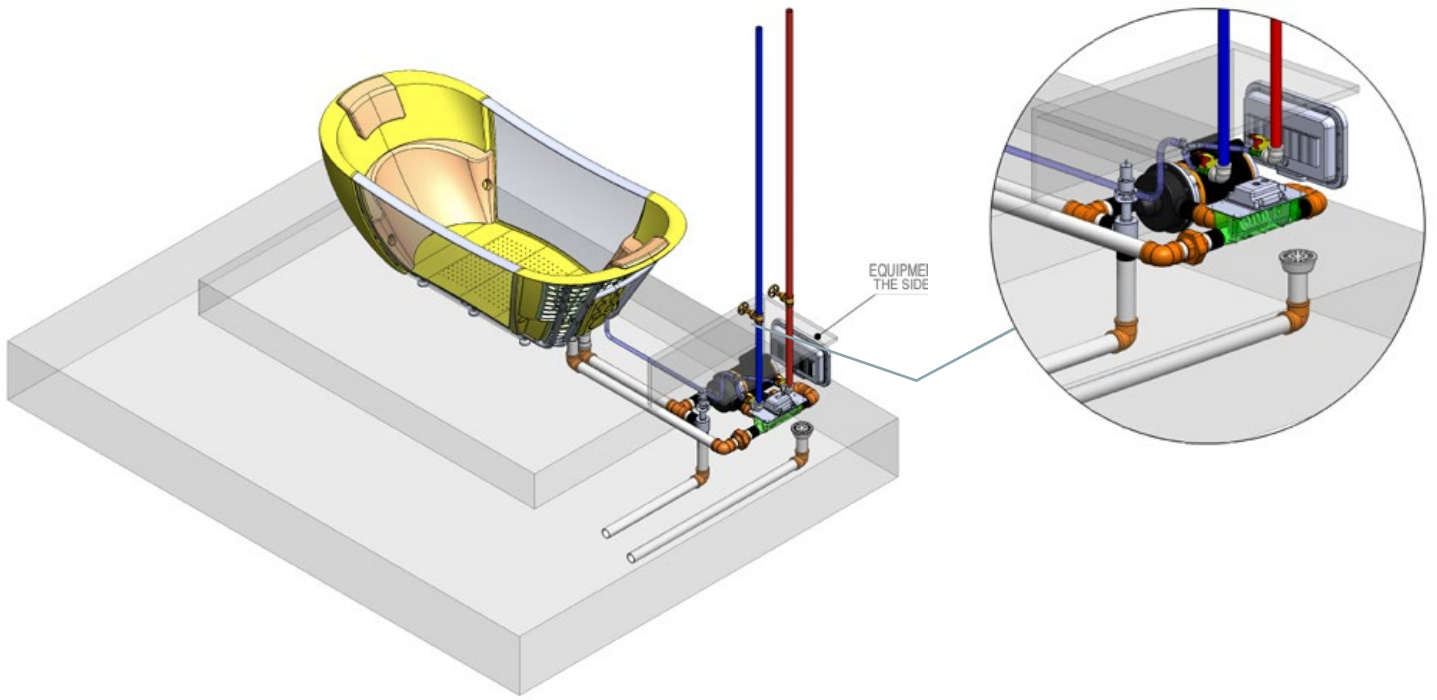
Pencil or Marker



Screwdriver

*not included

Fontana Showers®



POWER BOX

Motor pump

DRY DRAIN

HEATER

SOLENOID ENTRY
HOT WATER

SOLENOID VALVE
ENTRY
COLD WATER

MECHANICS OF
DRAIN