

**FONTANA CHATOU GOLD FINISH MUSIC SYSTEM HOT AND COLD LED SHOWER HEAD WITH HAND SPRAYER PHONE CONTROLLED INSTALLATION INSTRUCTIONS**



**BEFORE YOU BEGIN**

Before you begin, please read the installation instructions below. Observe all local building and safety codes.

Unpack and inspect the items for any shipping damages. If you find damages, do not install.

Please note all products must be installed by a professional and certified plumber otherwise warranty might be voided.

**POSSIBLE TOOLS REQUIRED\***



Plumbers Tape



Tape Measure



Level



Adjustable Wrench



Hex Wrench



Thread Sealant



Drill



Pencil or Marker

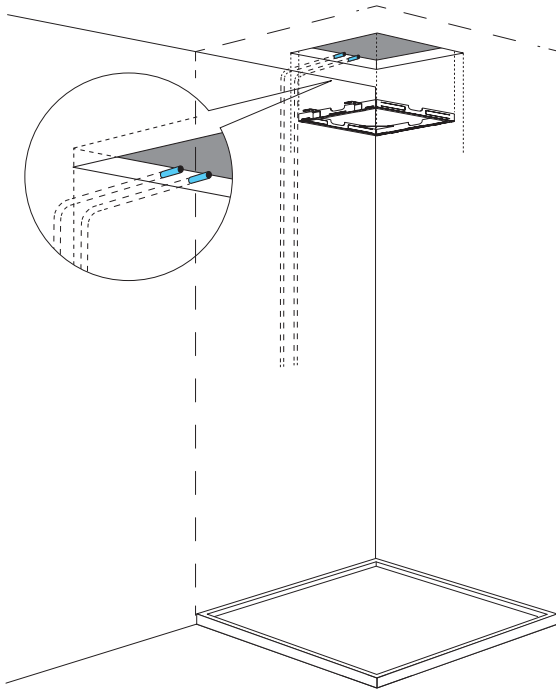


Screwdriver

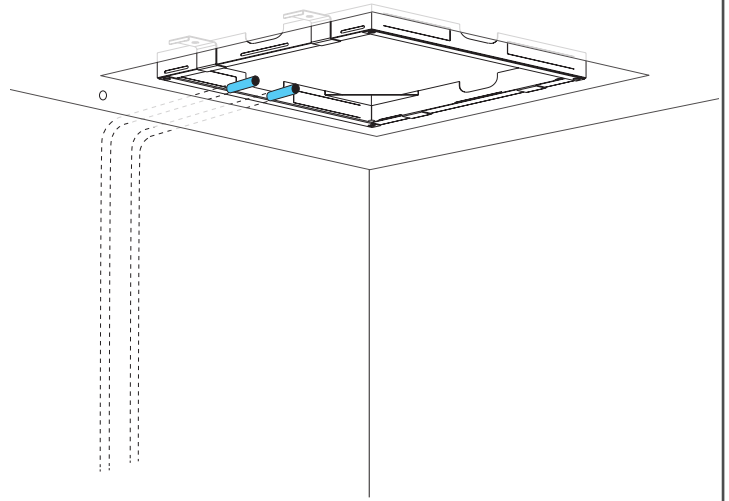
\*not included

## Shower Head Installations Instruction

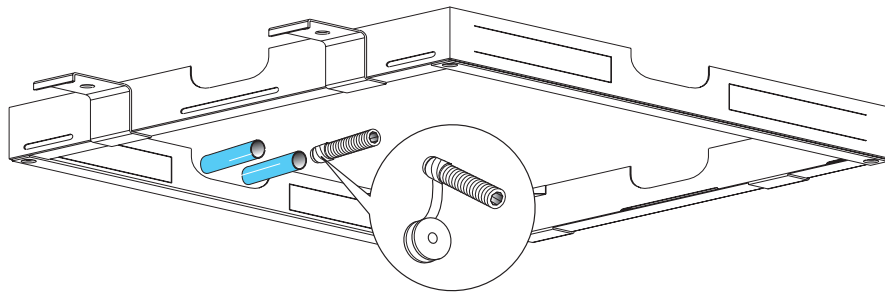
### Step 1:



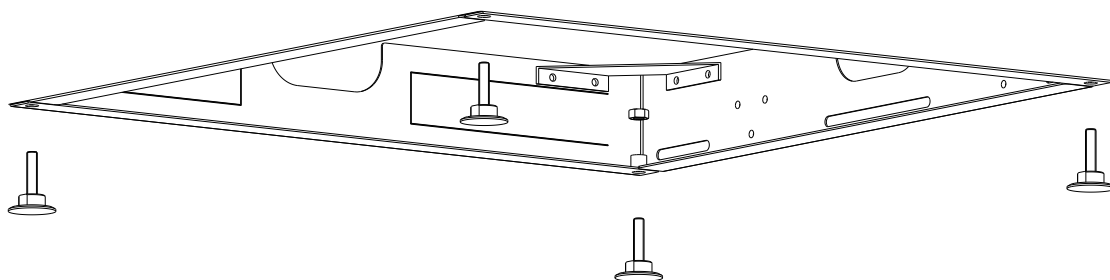
### Step 2:



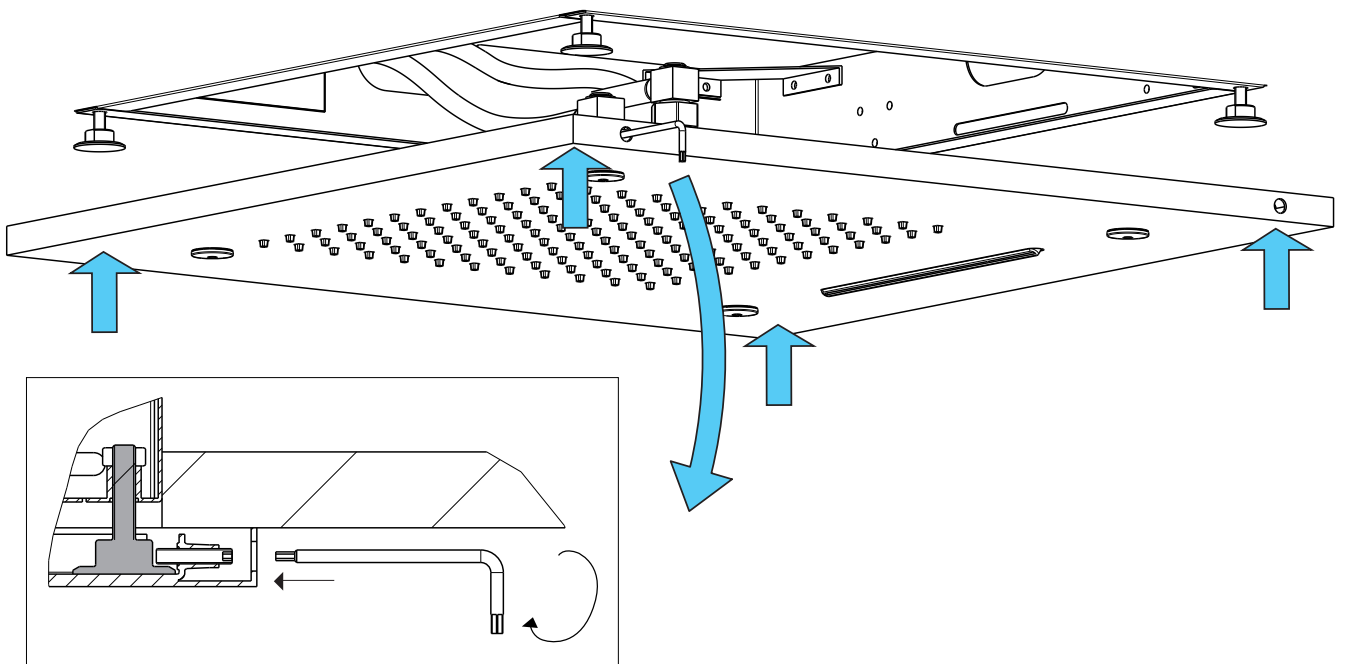
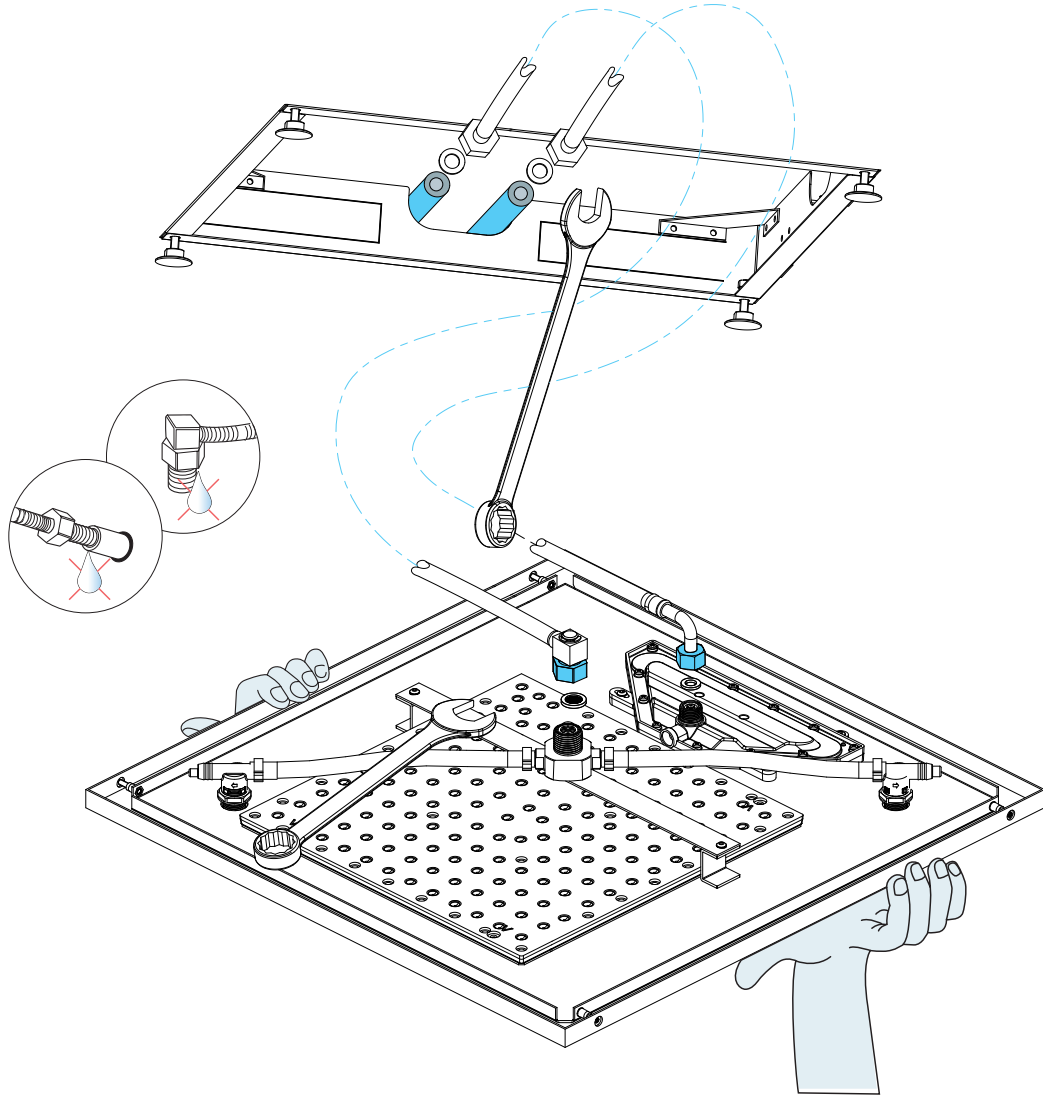
### Step 3:



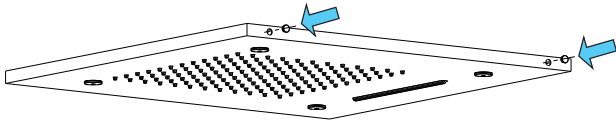
### Step 4:



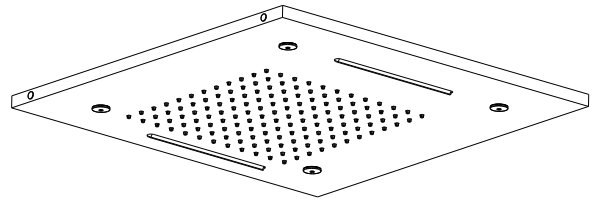
## Step 5:



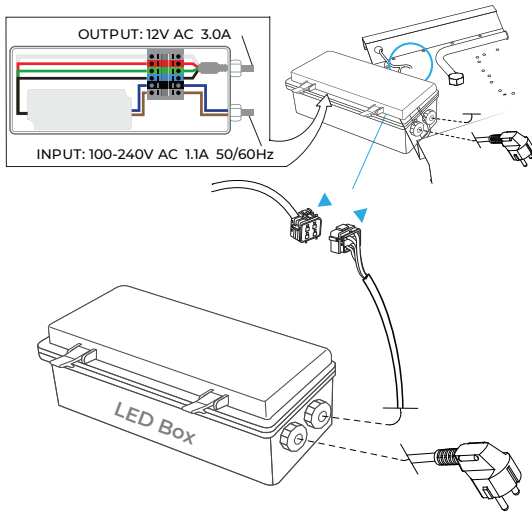
Step 7:



Step 8:



Step 9:



Step 10:





**Phone control color**

Kinds of color **64**  
temperature adjustable

**Color software App install Instruction**  
**Download name: LedHome**

**IOS:** <https://itunes.apple.com/cn/app/ledhome/id105692mt=81921?>  
**Android:** [http://zhushou.360.cn/detail/index/soft\\_id/3156463](http://zhushou.360.cn/detail/index/soft_id/3156463)

QR Code 



**WiFi**  
Buile-in WiFi



Kinds of color **64**  
temperature adjustable

**1: Remote control color**



1: Turn ON/OFF  
2: Color Touch Ring  
5: Mode Switch  
4/8: Dynamic Speed adjusting  
3/6: Color Temperature adjusting  
7/9: Dynamic Brightness adjusting



Kinds of color **64**  
temperature adjustable






**WiFi**  
Buile-in WiFi

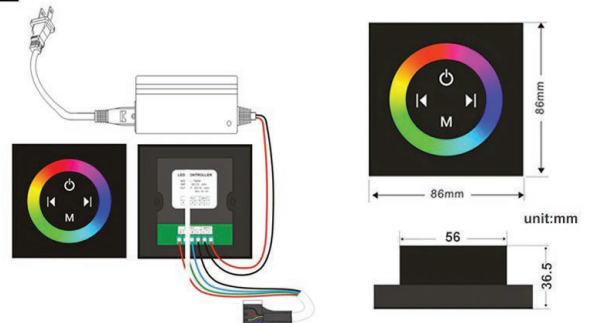
**2: Phone control color**

**Color software App install instruction**  
**download name: LED Home**



1.Touch panel there are 4 buttons and a pulley key ,the functions are as follows :

-  You could turn on/off controller at any state;
-  Mode key,you can choose a different kind of color change,total 11 kinds of change patterns.
-  It is used for increasing/ reducing the output signal brightness of speed.



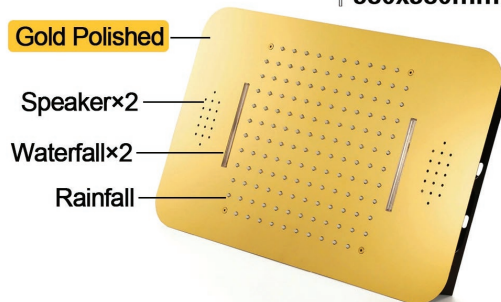
Typical Application

Remark:Need 86 bottom box use it together  
The product not include the 86 bottom box

**Safety Tips: The control panel do not touch water directly.**

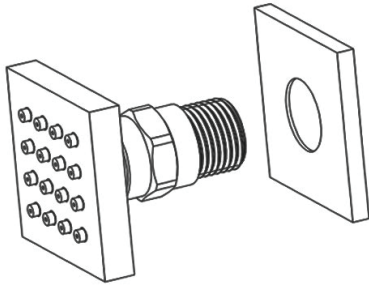
## 304 Stainless Steel

『 580x380mm 』

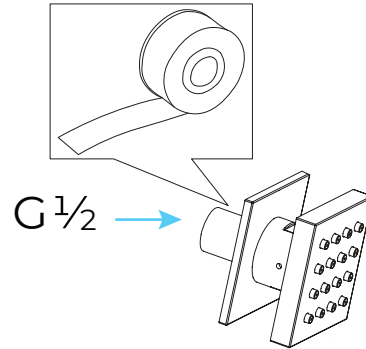


Water Pressure: 0.3-0.5MPA  
Shower Flow Rate: 16-28L/min

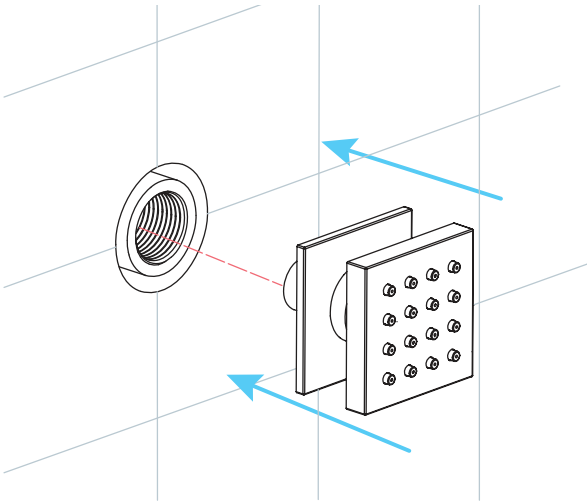
## Body Jets Spray Installations Instruction



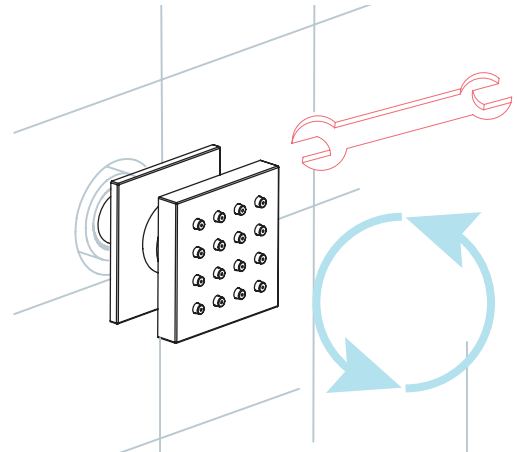
Step 1: Attach the escutcheon to the body spray.



Step 2: Apply teflon tape to threaded tail pipe of the body spray



Step 3: Press the escutcheon against the finished wall

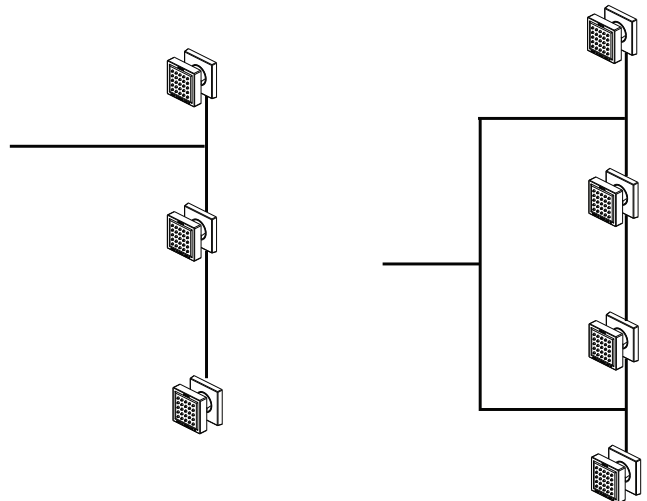


Step 4: Screw the Body spray tightly into the female of water Supply

### Pressure Balancing Loop:

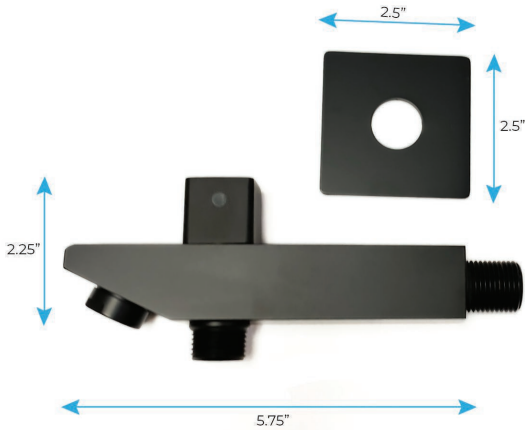
. If installing bodysprays in a bank of 3 or fewer, a pressure balancing loop is not necessary.

. If installing bodysprays in a bank of 4 or greater, a pressure balancing loop must be used to keep the pressure even between the bodysprays.

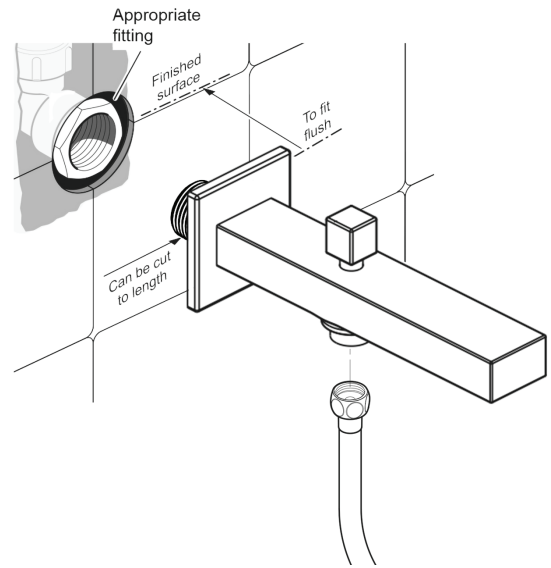


## Hand-Held Shower Installations Instructions

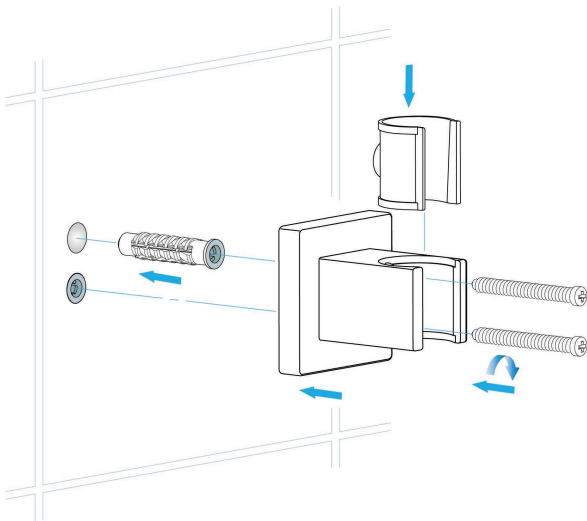
### Step 1



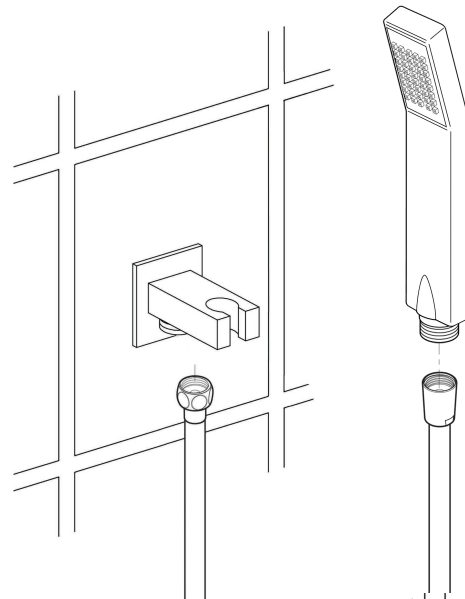
### Step 2



### Step 3



### Step 4



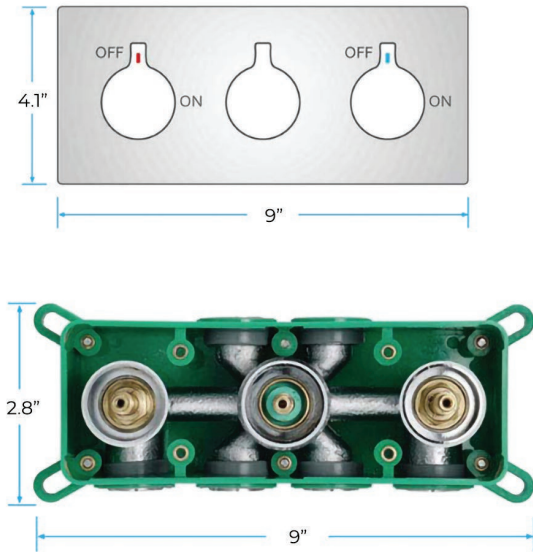
### Hand Shower Outlet Installation

- Complete the outlet pipework ensuring it ends in an appropriate 15mm x 1/2" BSP female thread elbow. Note: This fitting is not supplied as variations in installations require the selection of a suitable solder or compression fitting.
- Install the 'Wall Outlet', thread long male 1/2" BSP into the appropriate female fitting using PTFE tape to give a watertight joint. Note: The thread can be cut to size if required. Make sure that all debris is removed from the connector and the section that has been cut is dressed correctly, before installation.

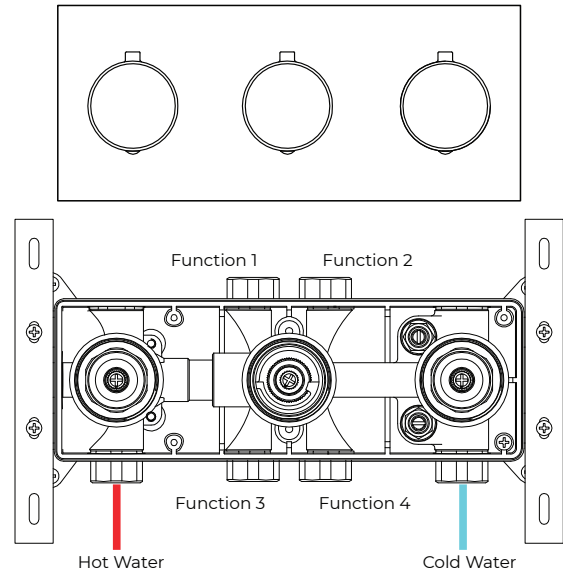
The minimum required water pressure is 0.05 MPa (0.5 bar).  
Flow rate 2.5 GPM (9.5 LPM).

## Mixer Installations Instructions

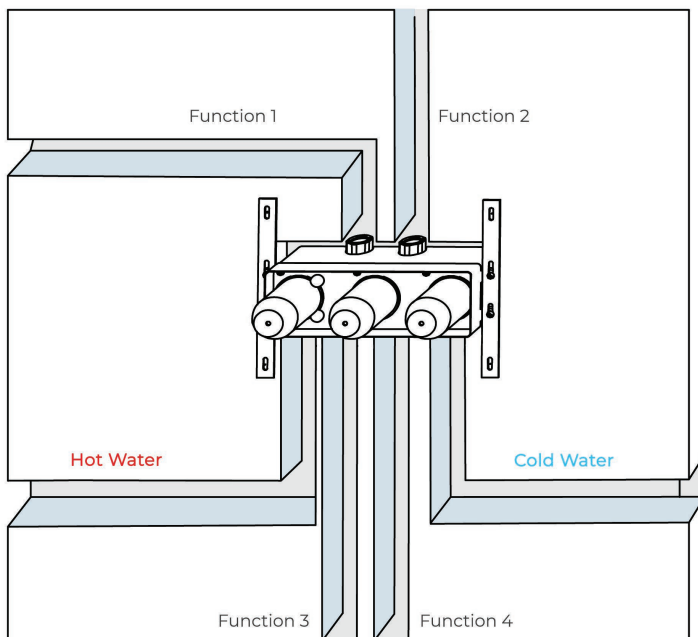
### Step 1



### Step 2



### Step 3



- Release handwheel levers according to the directions.
- Take apart the embed valve, panel, and handwheel.
- Dig the embed space for the pipe on the wall according to the valve.
- Dig holes according to the position of the screws.
- Use a hammer to thwack the screws into holes.
- Fix the valve body with screws.
- Find out the expansion screw heads with washer and spring washer. Use copper sleeve wrench to lock the screw heads with the embed valve body.
- After connecting all the pipes and before sealing the wall leaking problem occur when you turn on the water.
- Fix the decorative panel on the embedded valve body.
- Screw the handwheel arms with the handwheels



## General Information

All products manufactured and supplied by Fontana are safe and comply to legislative requirements. Providing they are installed correctly and receive regular maintenance in accordance with these instructions your user experience will not be affected

## Care & Cleaning

1. The product can be cleaned with warm water, a mild soap and a clean soft cloth.
2. Clean progressively and gently.
3. It is not required to use any abrasive cleaning pads, wire wool or cloths to clean the product.
4. Avoid a vigorous cleaning action, as this could contribute to denaturing and dulling
5. Abrasive or strong cleaning products containing ammonia, bleaches, alcohol, dyes, acids (hydrochloric, formic, phosphorus, chlorine or acetic) will be not be affected.
6. If using a spray cleaner, apply the cleaning agent onto a soft cloth, never directly spray onto the product as the cleaner may enter gaps and openings and cause damage. Do not allow the cleaner to remain on the product for a period of time. After cleaning, rinse thoroughly with clean water.

