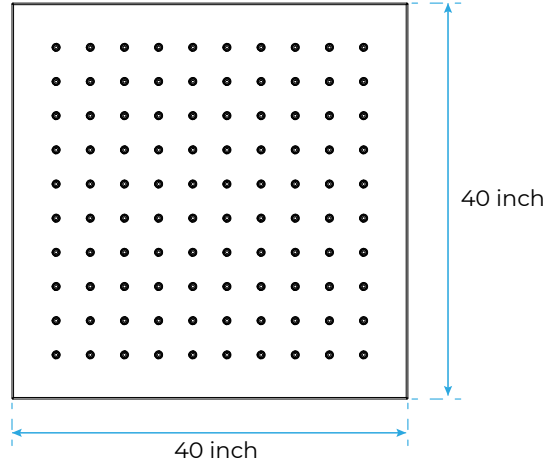


SICILY 40" X 40" CHROME LED RAINFALL SHOWER SYSTEM SPECIFICATIONS

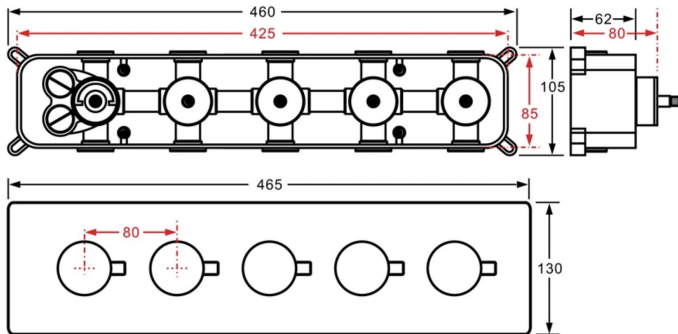


Shower Head

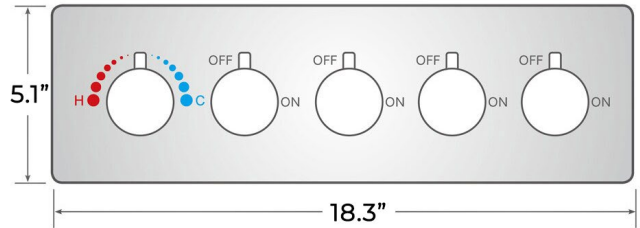


Rainfall Flow Rate : 2.2 GPM

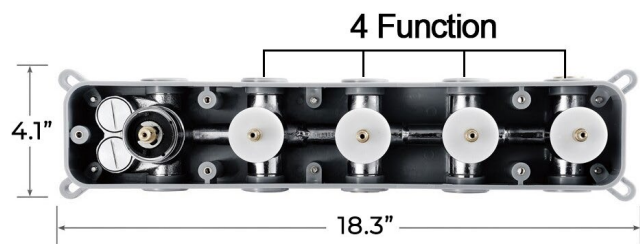
Shower Mixer



Unit:mm Thread: G1/2



All Function can be used at the same time.



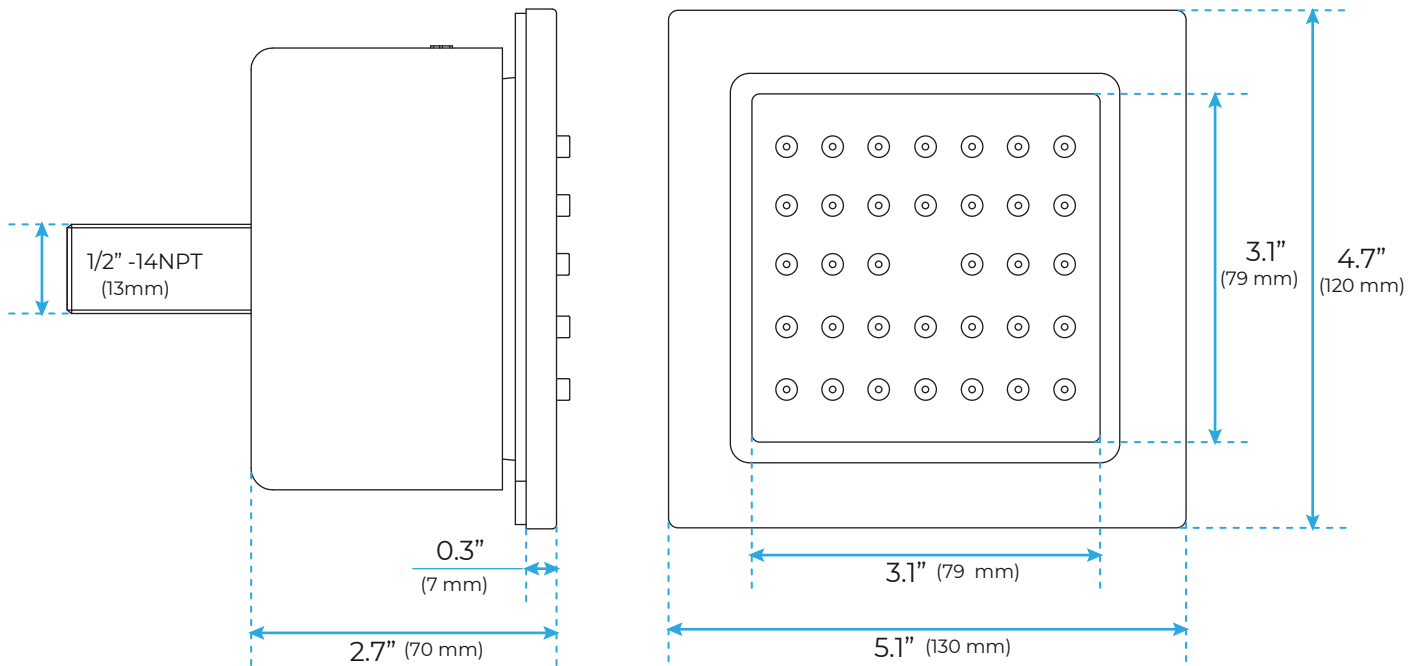
(If you have opted for LED option)

The LED light will change its color by detecting water temperature:

- 0-30°C (32-86°F): Blue LED ■
- 30-40°C (86-104°F): Green LED ■
- 40-50°C (104-122°F): Red LED ■
- 50-100°C (122-212°F): Flashing Red LED ■ ■ ■

Note: The LED lights are powered by water flow, and will be activated once the water is turned on.

Body Jet

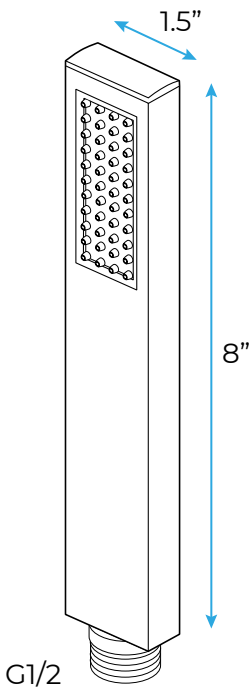


FEATURES

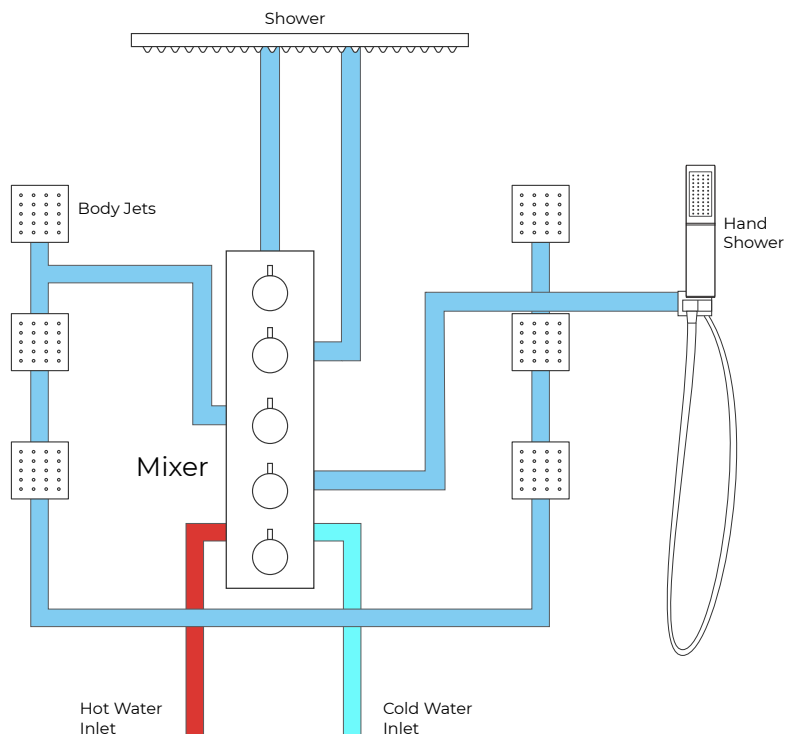
Material: Brass
 Base Plate Height: 5-1/8"
 Base Plate Width: 5-1/8"
 Jet Surface Area: 3-1/8"

Surface Depth: 1/4"
 Adjustment Angle: 5°
 Male NPT Connection: 1/2"
 Maximum Flow Rate: 2.5 GPM (9.5L/min) max @ 80 psi

Hand Shower



Shower Mixer Connections



Flow Rate: 2.0 GPM / 7.6 LPM

All dimensions and specifications are nominal and may vary. Use actual products for accuracy in critical situations.