

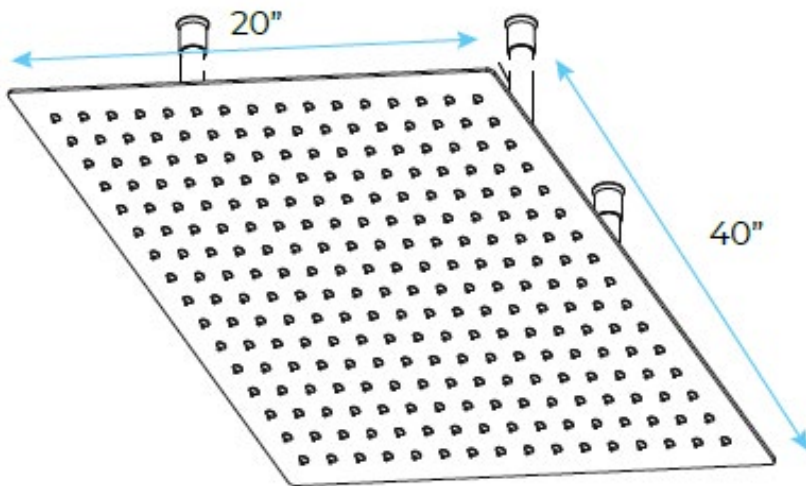
# FONTANA SAINT DENIS LARGE CHROME LED RAIN SHOWER HEAD WITH BODY JETS & HANDHELD SHOWER SPECS



## Specifications

- Valve Material: Ceramic Valve
- Flow Rate: 1.8 GPM / 6.8 LPM (rain Shower)
- Finish : Chrome
- Cold and Hot Switch: Yes
- Shower Mixer Feature: 5 function
- VOLTAGE: 90-250V

## Shower Head Size:



The LED light will change its color by detecting water temperature:

0-30° (32-86°): Blue LED

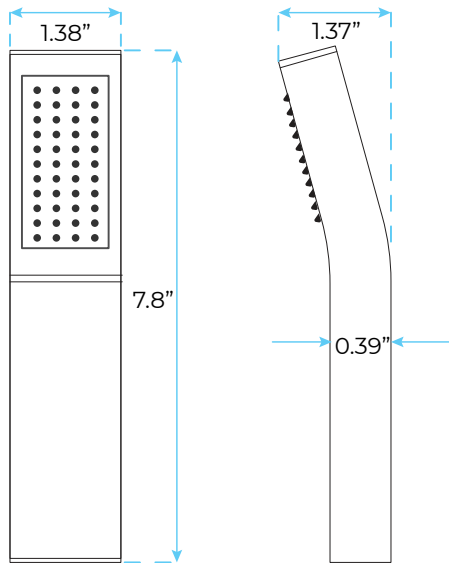
30-40° (86-104°): Green LED

40-50° (104-122°): Red LED

50-100° (122-212°): Flashing Red LED

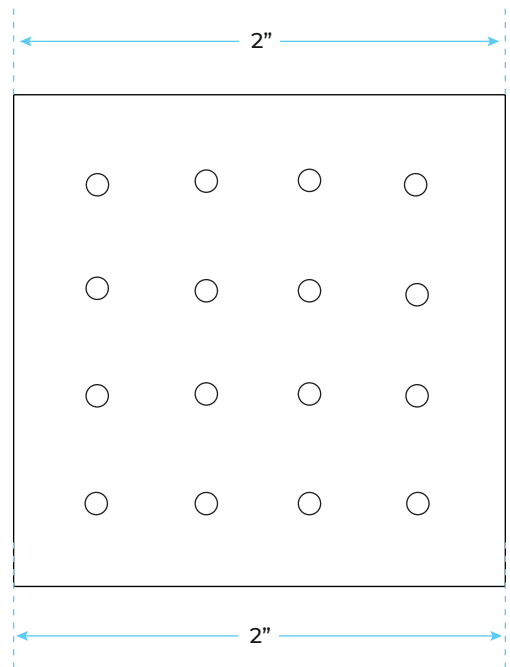
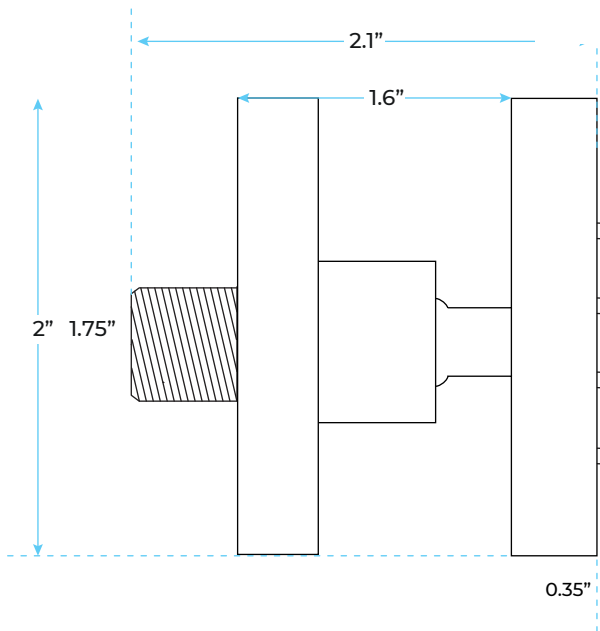
Note: The LED lights are powered by water flow, and will be activated once the water is turned on.

## Hand Shower Size:



The minimum required water pressure is 0.05 MPa (0.5 bar).  
Flow rate 2.5 GPM (9.5 LPM).

## Body Jet Size:



Thread Interface Size: G 1/2 Inch  
Function: Rainfall  
Shower Head Feature: Water Saving  
Shower Heads  
Type: Fixed Rotatable Type  
Installation Type: Wall Mounted

Size: 50\* 50 mm(2 inch)  
Material: Brass  
Feature: Can rotate 360 degrees  
Flow Rate: 1.5 GPM / 5.7 LPM (each  
Bodyspray)