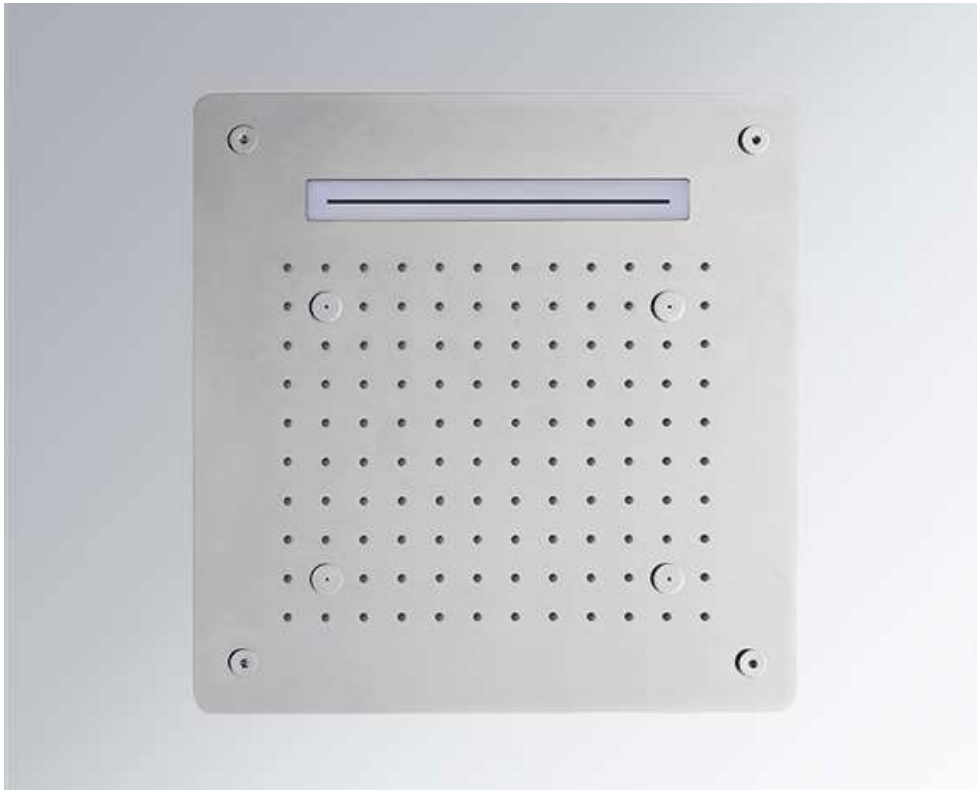


LYON 16" CEILING MOUNTED LUXURY LED BATHROOM SHOWER HEAD INSTALLATION INSTRUCTIONS



PRIOR TO INSTALLATION

Please read installation instructions below. All plumbing should be installed in accordance with applicable building codes and regulations.

Unpack and inspect the items for any shipping damages. If you find damages, do not install.

All products must be installed by a professional and certified plumber otherwise warranty may be voided.

POSSIBLE TOOLS REQUIRED*



Plumbers Tape



Tape Measure



Level



Adjustable Wrench



Hex Wrench



Thread Sealant



Drill

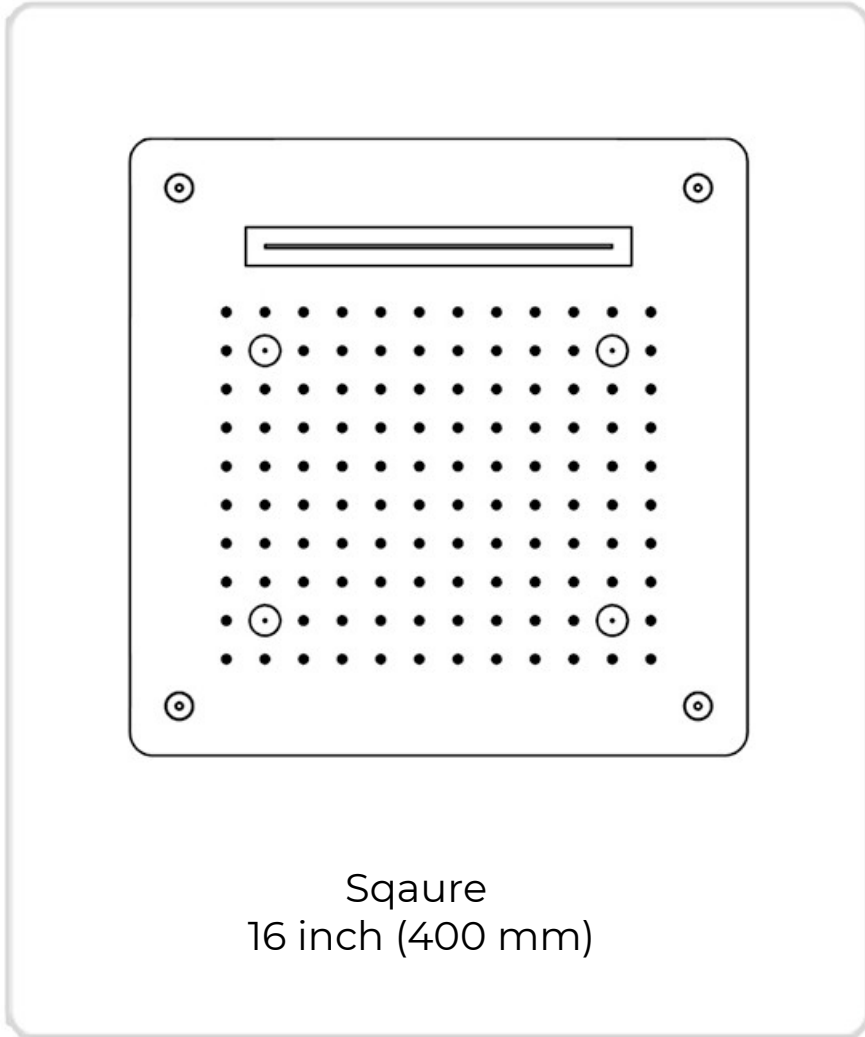


Pencil or Marker

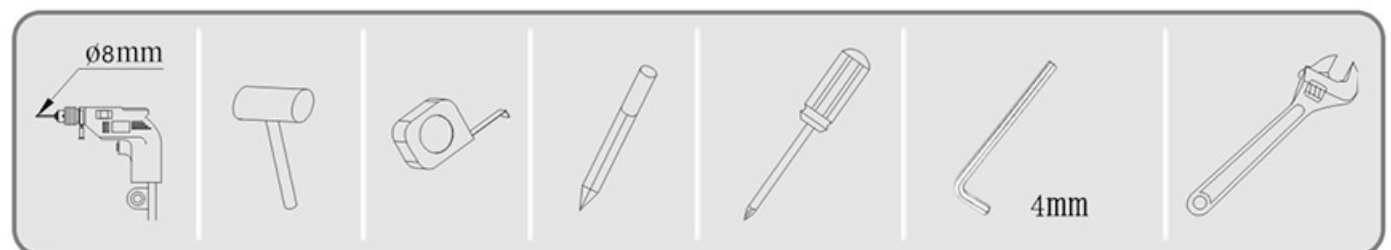
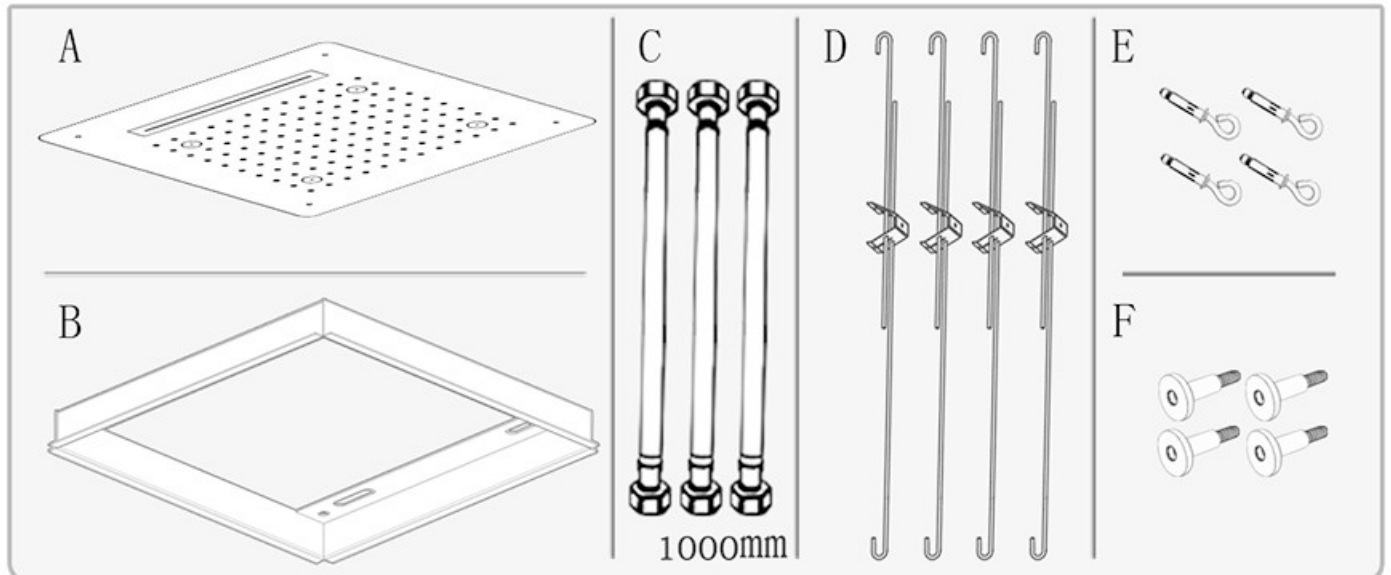


Screwdriver

*not included

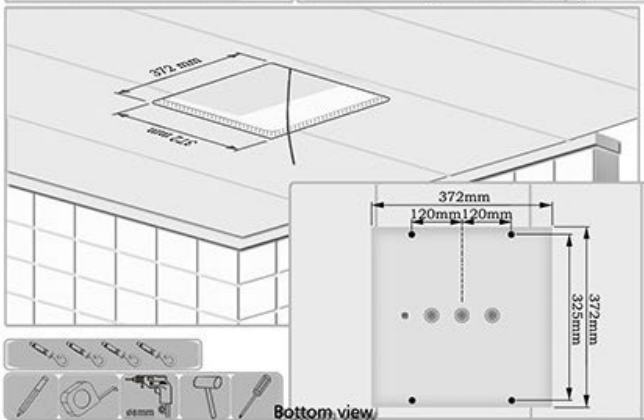
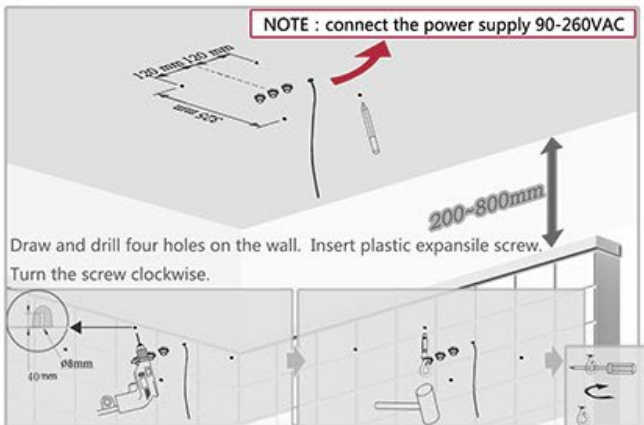


Sqaure
16 inch (400 mm)

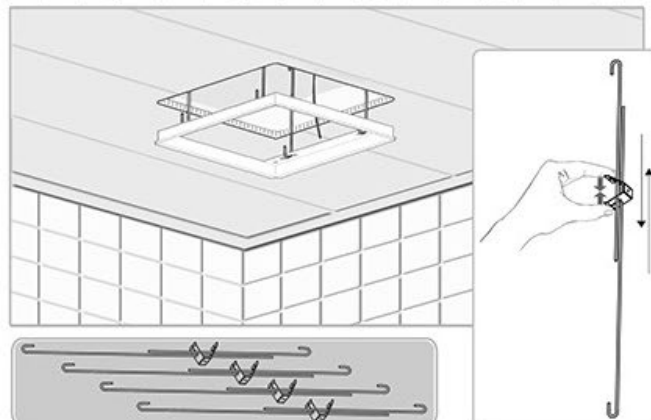
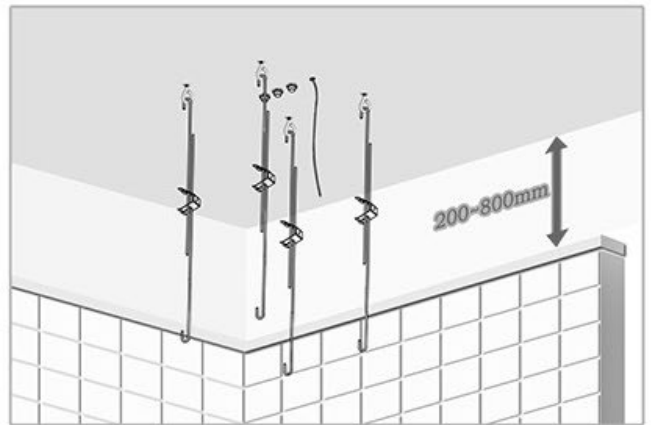


1

NOTE : connect the power supply 90-260VAC

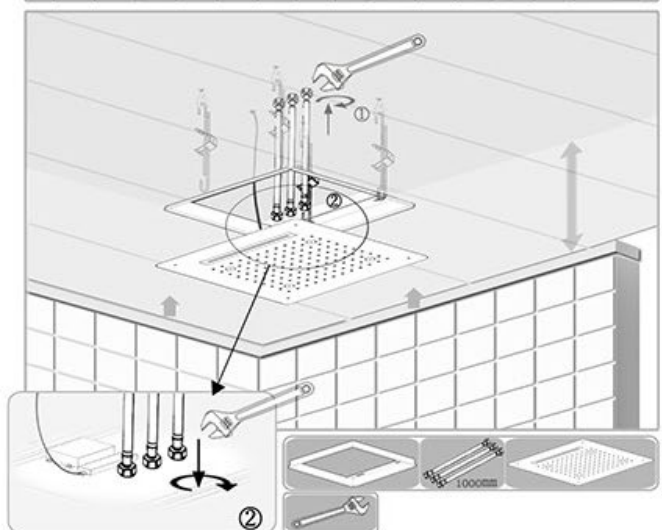
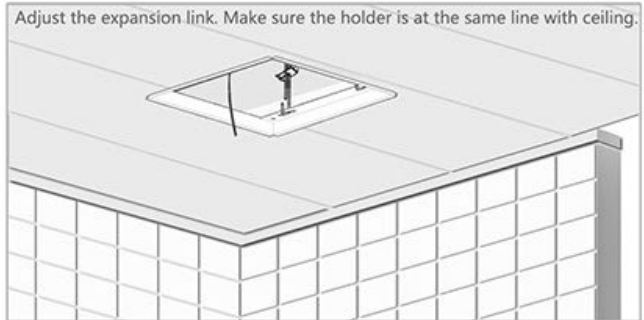


2

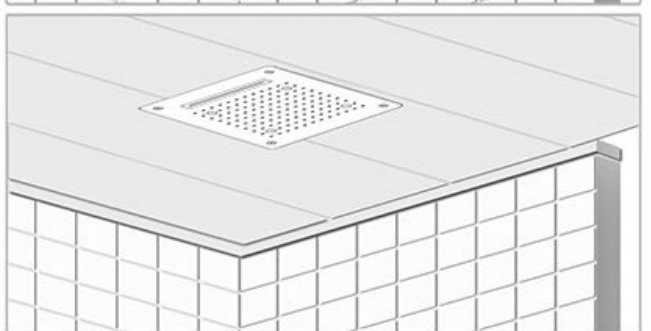
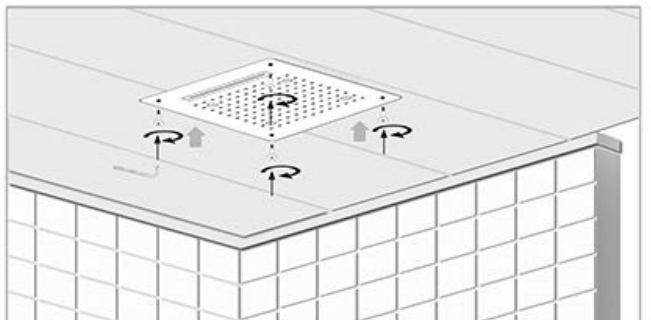


3

Adjust the expansion link. Make sure the holder is at the same line with ceiling.



4



4mm

INSTALLATION IS COMPLETE