

FONTANA CARPI 20" LED INTELLIGENT THERMOSTATIC DIGITAL DISPLAY TOUCH PANEL WALL MOUNTED SHOWER SYSTEM INSTALLATION INSTRUCTIONS



BEFORE YOU BEGIN

Before you begin, please read the installation instructions below. Observe all local building and safety codes.

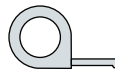
Unpack and inspect the items for any shipping damages. If you find damages, do not install.

Please note all products must be installed by a professional and certified plumber otherwise warranty might be voided.

POSSIBLE TOOLS REQUIRED*



Plumbers Tape



Tape Measure



Level



Adjustable Wrench



Hex Wrench



Thread Sealant



Drill



Pencil or Marker

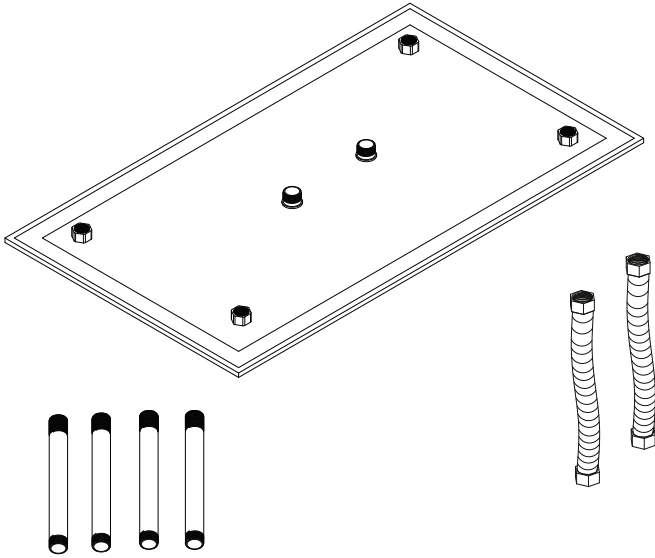


Screwdriver

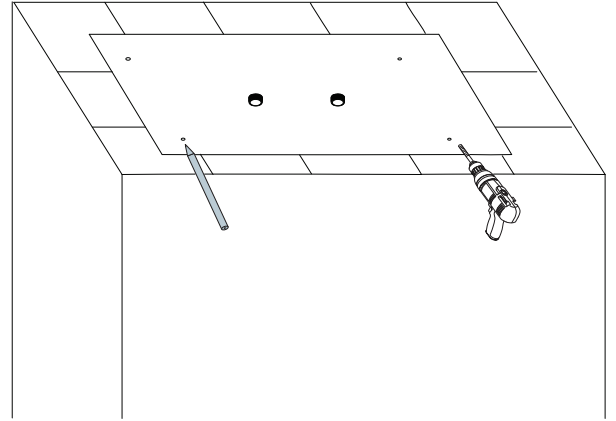
*not included

Shower Head Installations Instruction

Parts:

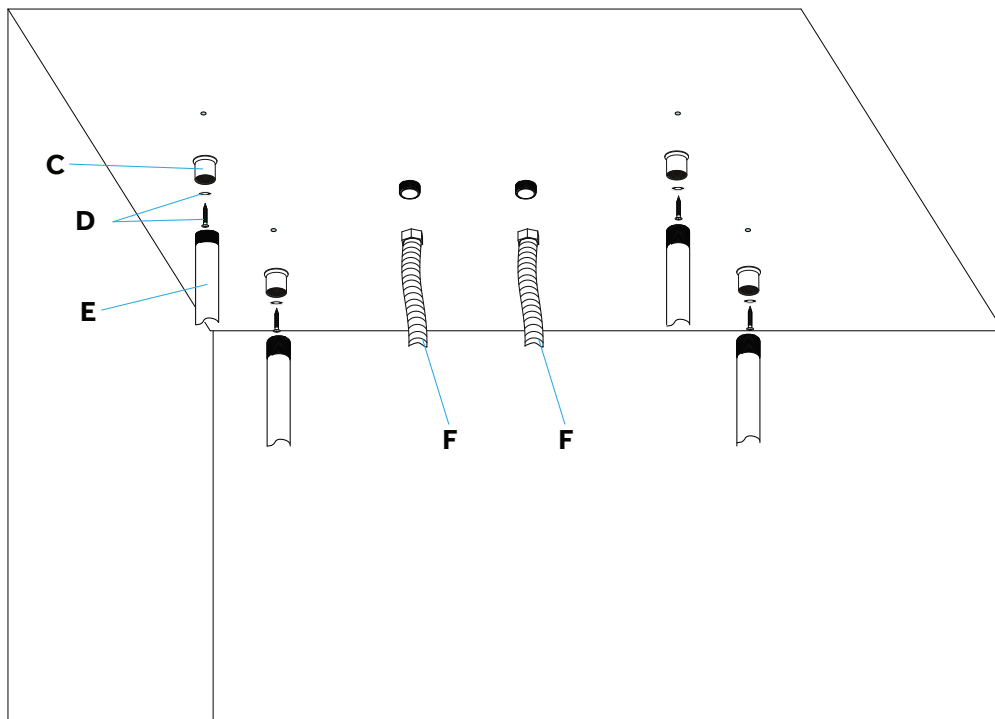


Step 1:



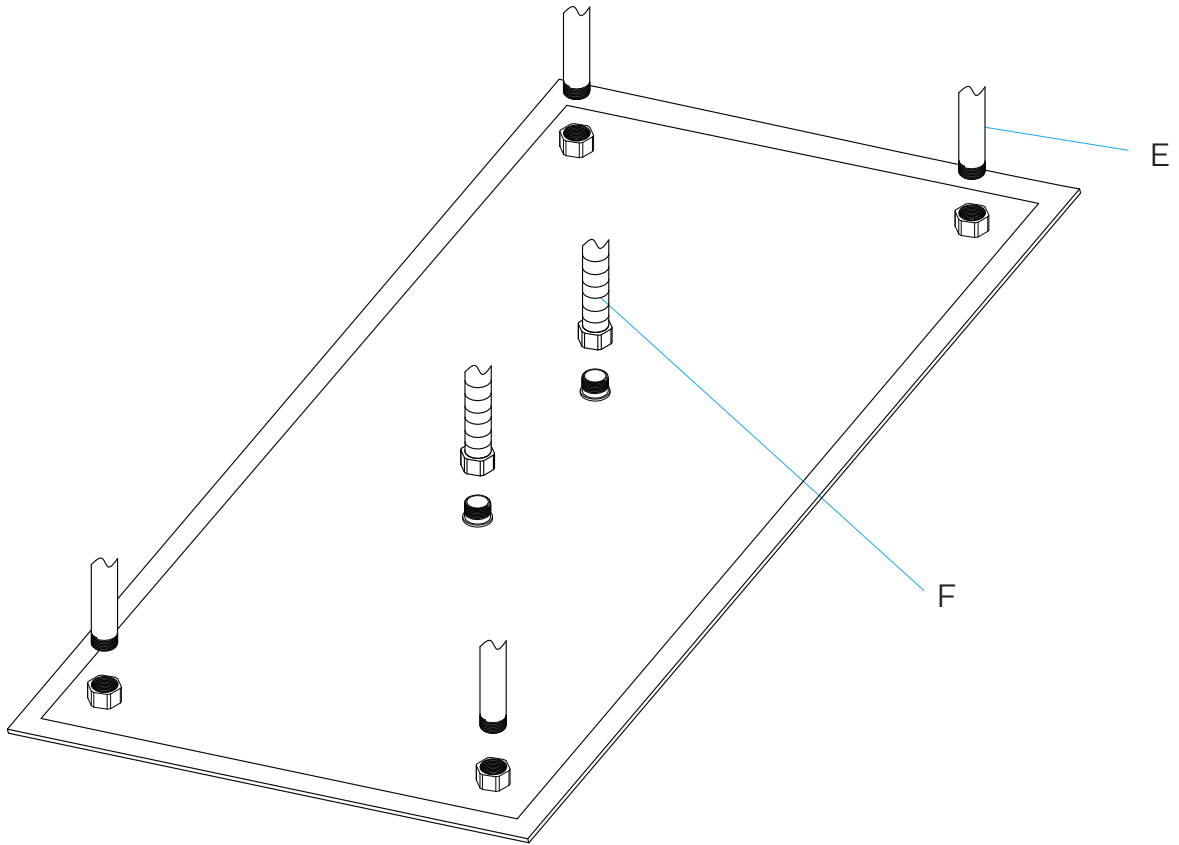
According to drilling drawing sheet to (B) mark the 4 drilling positions 1, then use the Ø6mm drill to drill holes on the wall according to the marked hole position.

Step 3:



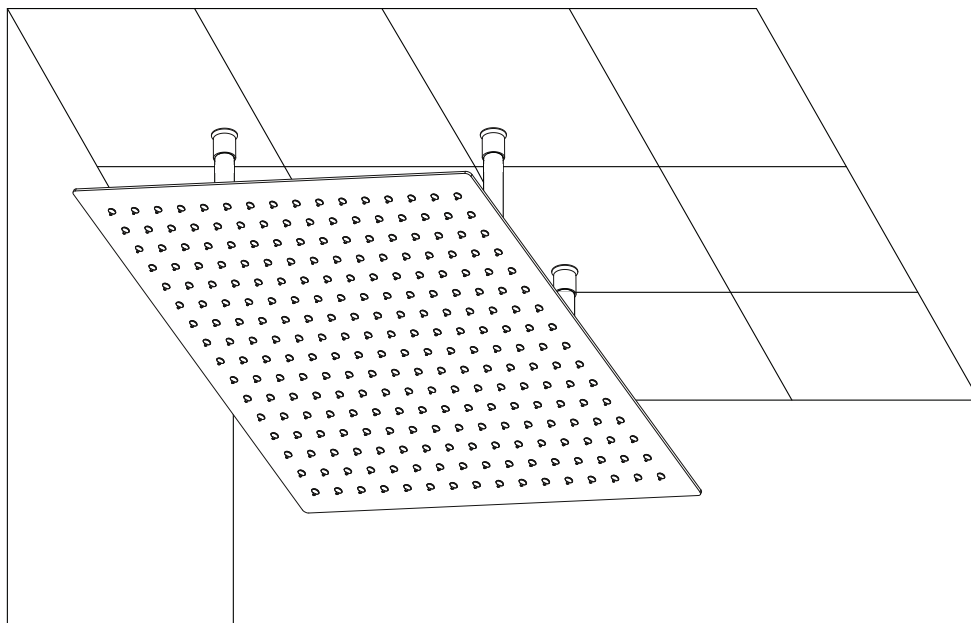
Inset the plug(D2) into the hole, hold the fix base (C) use the tapping screw (D1) through fix base(C) holes, tighten the tapping screw (D1) tighten the top shower fixed bar(E) and the inlet hose (F) with the fix base (C)

Step 5:



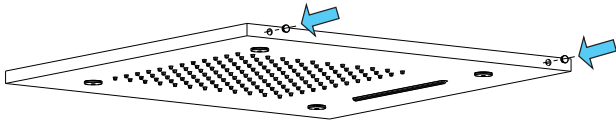
Fixed the top shower with the top shower fixed bar (E) , then connect with the inlet hose (F) .

Step 6:

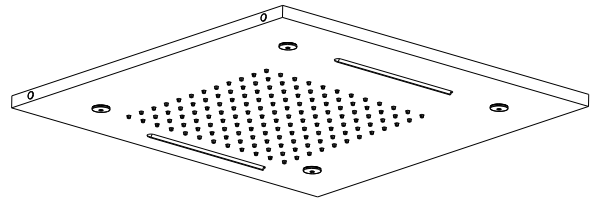


The installation is completed.

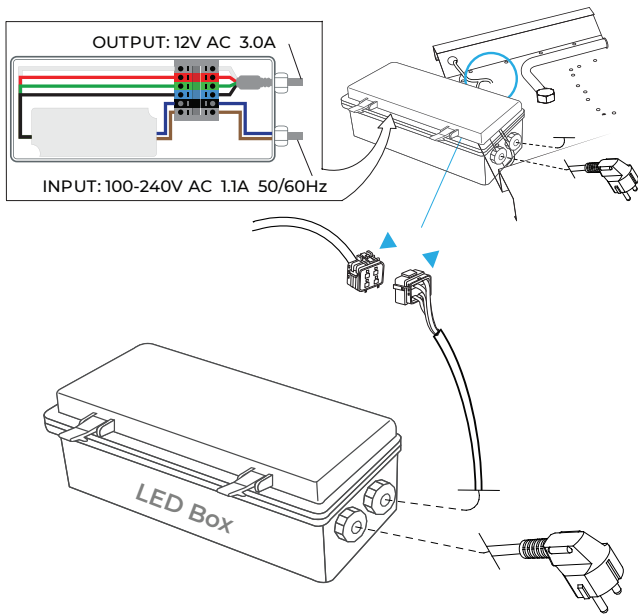
Step 7:



Step 8:



Step 9:

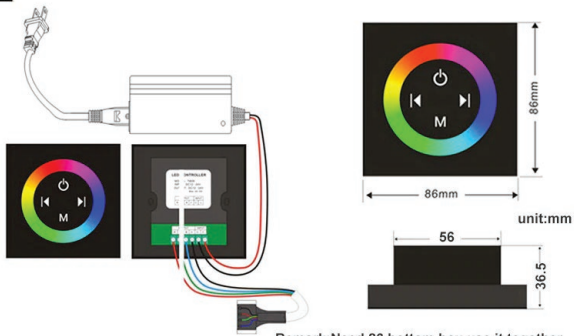


Step 10:



1.Touch panel there are 4 buttons and a pulley key ,the functions are as follows :

- You could turn on/off controller at any state;
- Mode key,you can choose a different kind of color change,total 11 kinds of change patterns.
- It is used for increasing/ reducing the output signal brightness of speed.



Typical Application

Remark:Need 86 bottom box use it together
The product not include the 86 bottom box

Safety Tips: The control panel do not touch water directly.

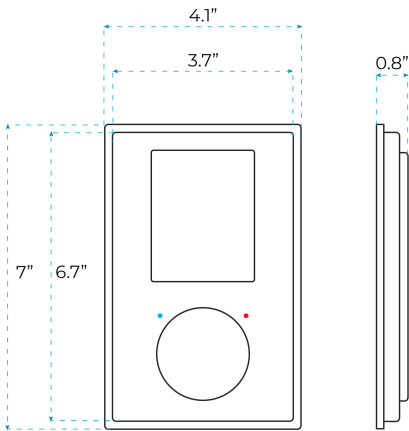
Kinds of color **64**
temperature adjustable

1: Remote control color

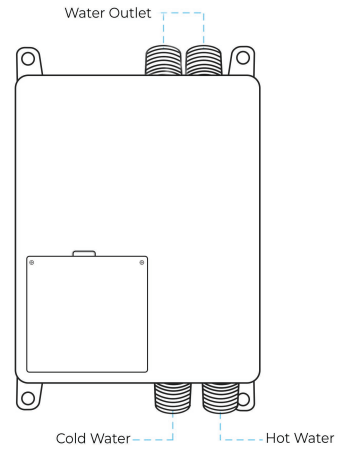
- 1:Turn ON/OFF
- 2:Color Touch Ring
- 5:Mode Switch
- 4/8:Dynamic Speed adjusting
- 3/6:Color Temperature adjusting
- 7/9:Dynamic Brightness adjusting

Digital Mixer 2 Way Installation Instructions

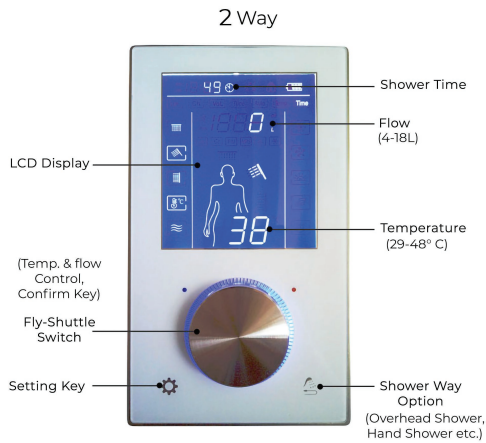
Step 1



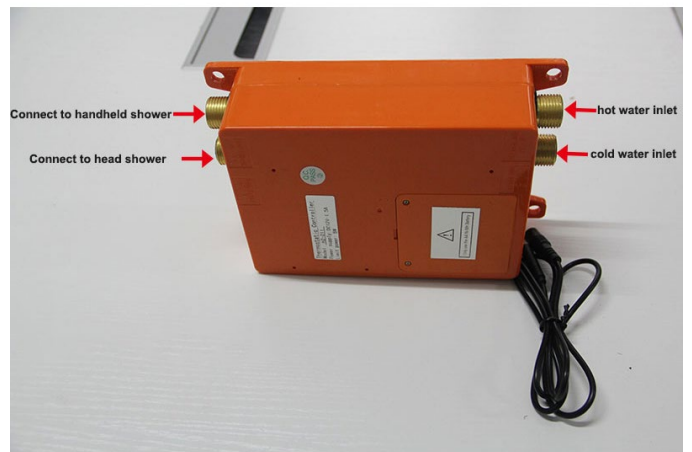
Step 2



Step 3



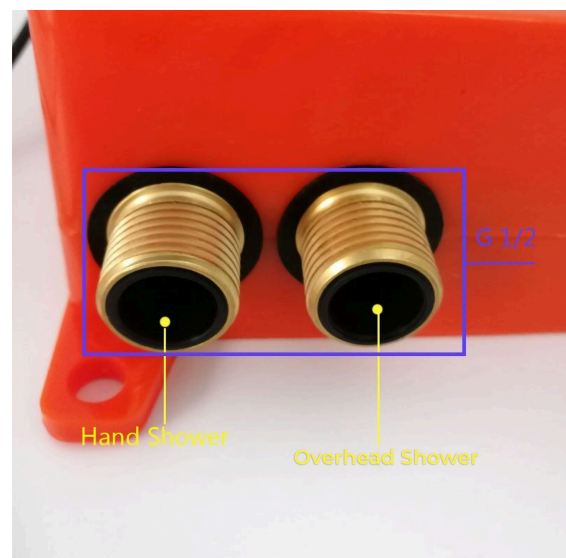
Step 4



Step 5



Step 6



Step 7



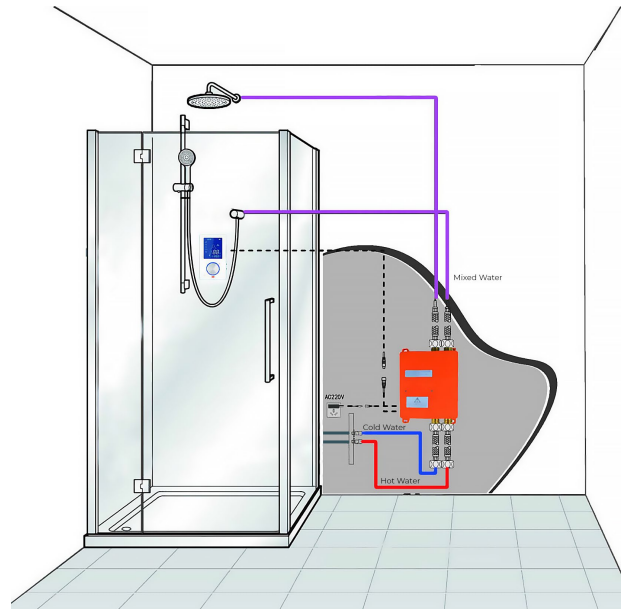
Step 8



Step 9



Step 10



Notice

1. The control panel is sensitive, when installing it, please avoid to let it ace directly to the water from the hand shower and the head shower, because water will gel it misoperation or lock the control panel.

2. The touch button is the best sensitive area.

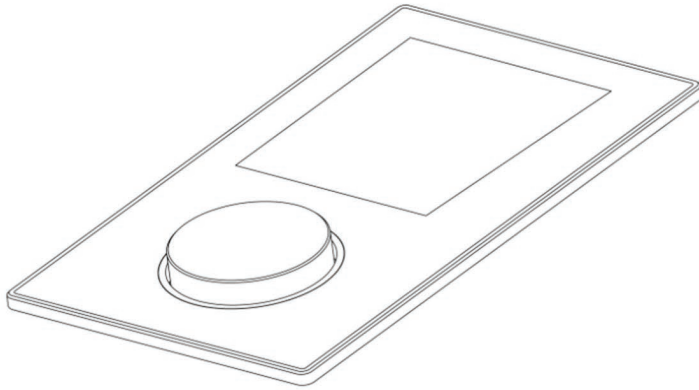
3. The touch panel has water splash protection technology. When the system detect misoperation, no response and need about 1 second to recover.

Function

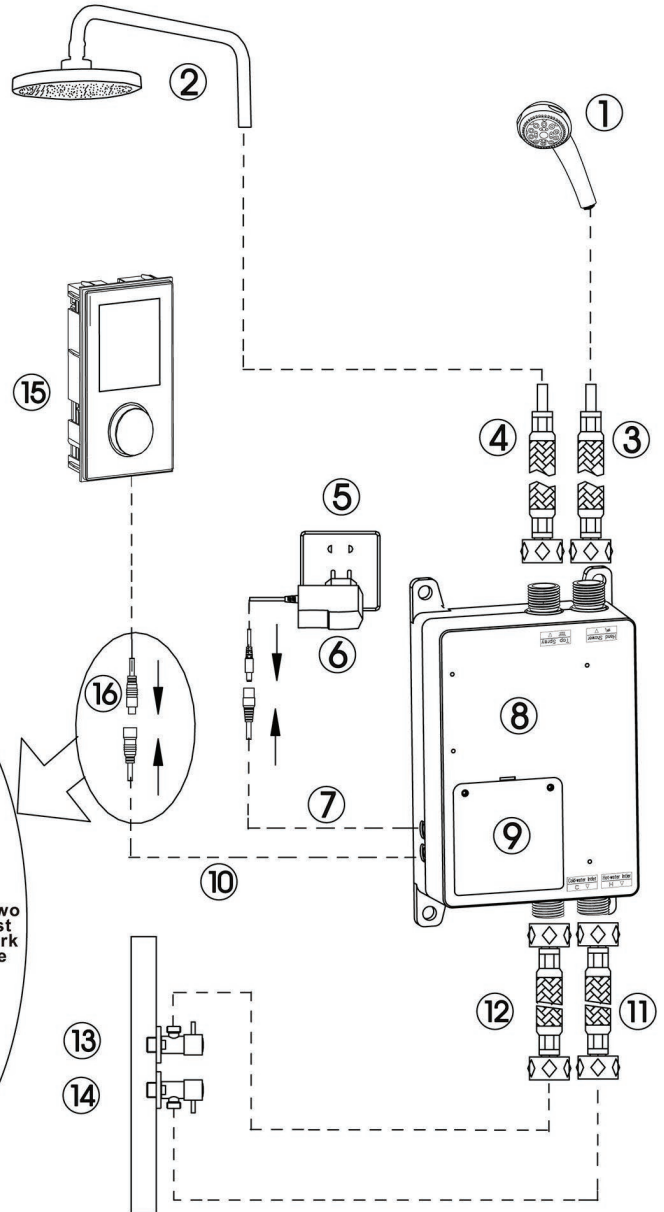
Water TEMP adjust 2. Hand shower 3. Head Shower 4. Water flow adjust

Instructions

Step 11:



Step 12:

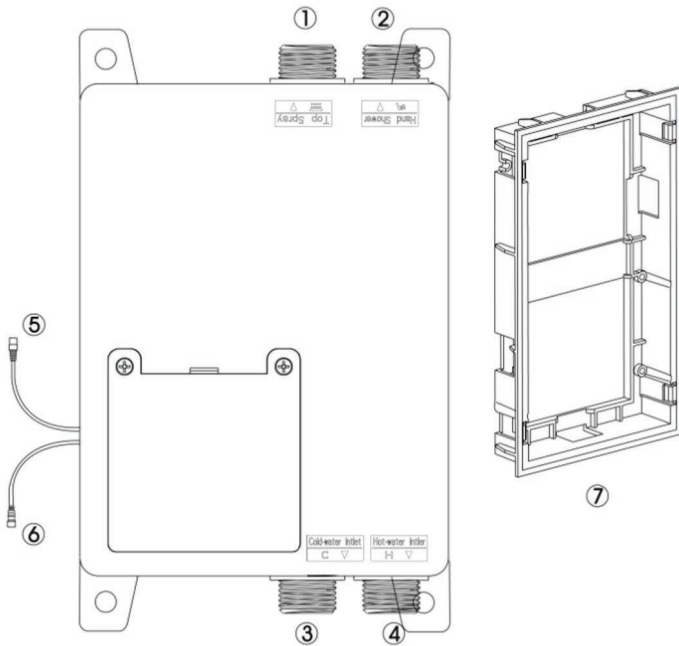


1. Hand shower
2. Head shower
3. Water outlet pipe of hand shower
4. Water outlet pipe of head shower
5. AC220V plug seat
6. Power adapter
7. Power supply cable of the host box
8. Host box
9. Battery cover
10. Control cable of the host box
11. Hot water inlet
12. Cold water inlet
13. Cold water switch
14. Hot water switch from water heater
15. Control panel
16. Control panel's control cable

When connect the two control cables, must follow the arrow mark which shown in the cable joint.



Step 13: (Host Box)



1. Hand shower's mixer water outlet
2. Head shower's mixer water outlet
3. Cold water inlet. 4. Hot water inlet
5. & 6. The control cable 7. Bracket

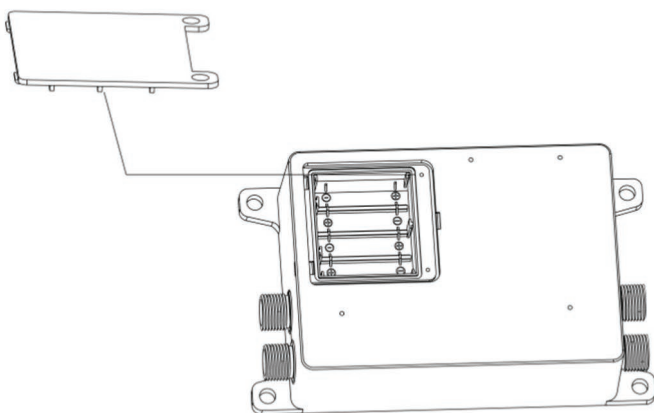
Step 14: (Operation)



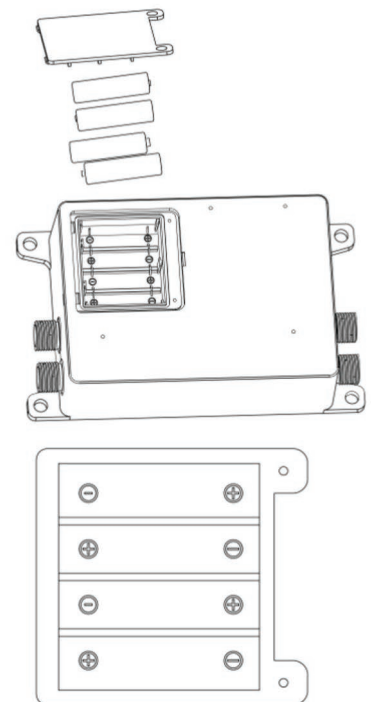
- | | |
|----------------------|----------------|
| 1 Fly-shuttle switch | 3 Spray button |
| 2 Setting button | 4 LCD display |

1. Fly-shuttle switch
2. Setting
3. Spray Button
4. LCD Display

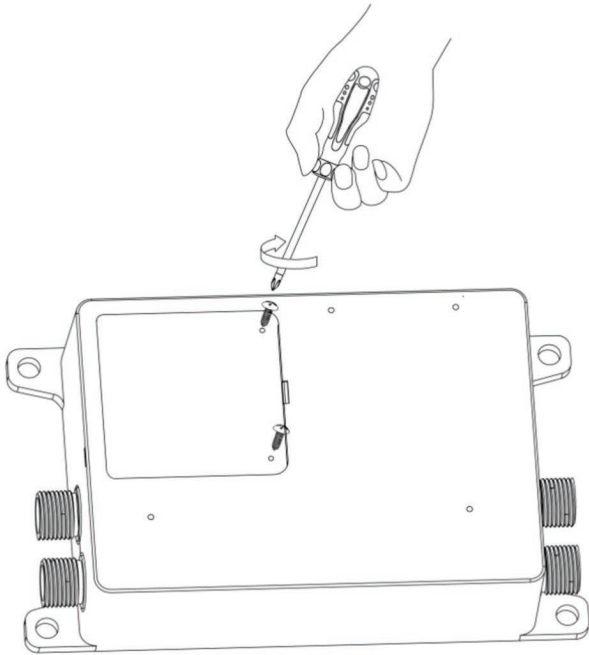
Step 15: (Battery Installation)



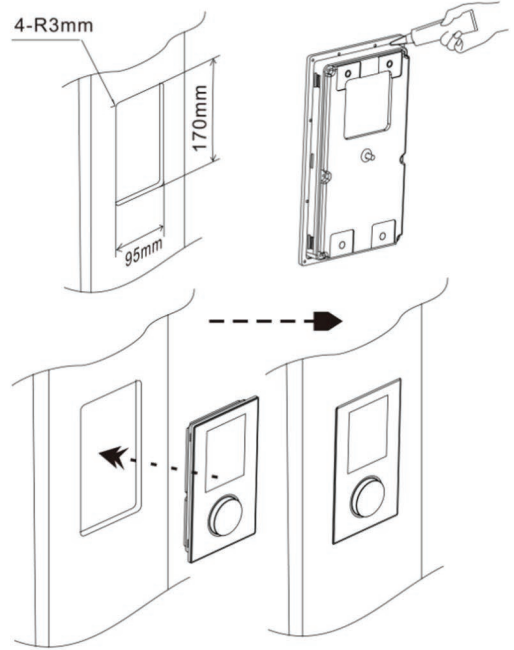
Step 16:



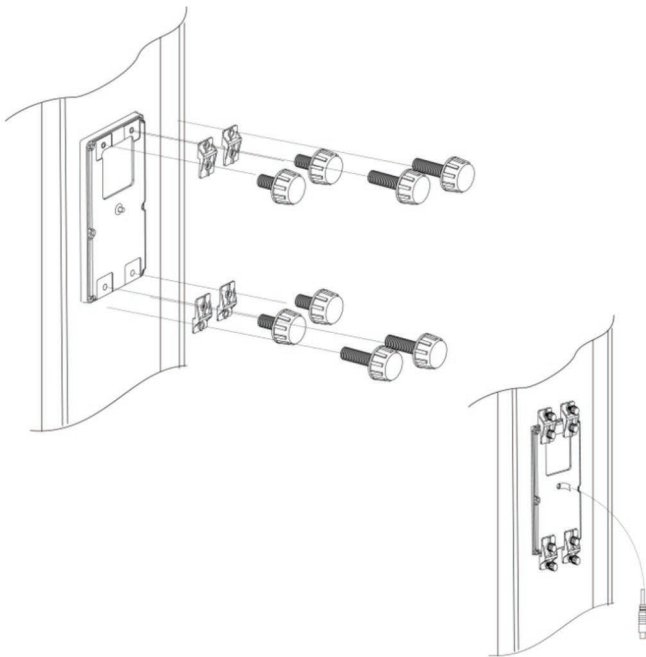
Step 17:



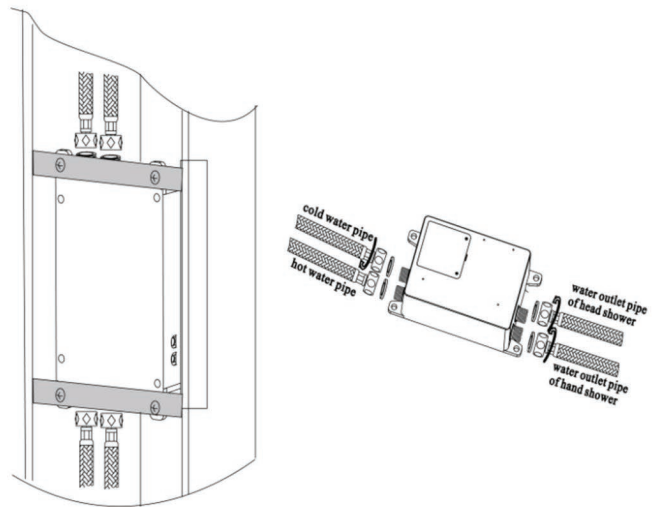
Step 18: (Installation of the Control Panel)



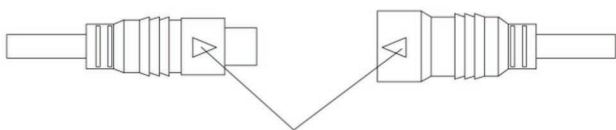
Step 19:



Step 20:



Step 21:



Step 22:



Installation Of The Control Panel

1. Build the control panel into the shower panel

Step 1: Open a hole (6.7" X 3.7") on the shower panel, putting some glass cement around the back of the control panel and fit it in the hole of the shower panel as picture shown.

Step 2: Fasten the mounting bracket onto the back of the control panel by screws.

Step 3: Install the host box on the back of the shower panel, connect the cold water and hot water pipe, hand shower, and head shower's pipes.

1. Connect the G1/2" hot and cold water inlet pipes to the host box, tighten it and make sure connection is well sealed (as the picture showed).

2. Connect the G1/2" water inlet pipe of the faucet to the water outlet pipe of the host box, tighten it and make sure connection is well seated (as the picture is shown). Caution:

When installation, the hot water pipe, and the cold water pipe cannot mix up.

Otherwise, the system cannot work.

When you tighten the connector nut, torque should not exceed 8N M, GB 2.5N M is OK, otherwise, it will damage the connector of the mixing valve and lead to water leaking.

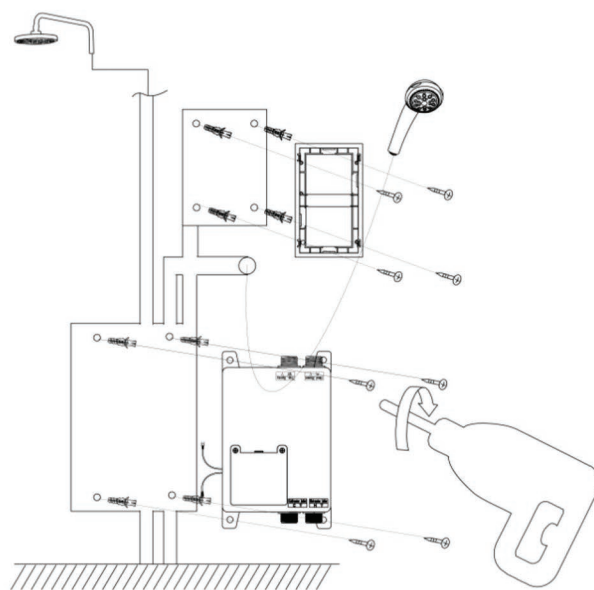
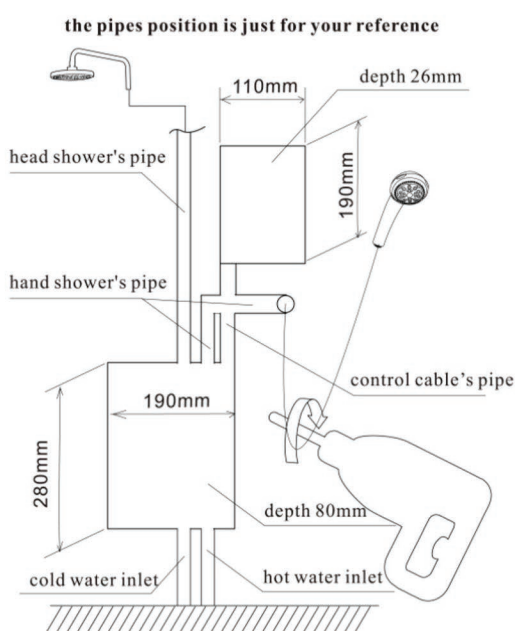
Step 4: Connect the host box control cable with the control cable of shower faucet as an arrow mark on the picture.

Caution: When connecting the two control cables, you must follow the arrow mark which is shown in the cable joint. If not, it will damage the cable joint.

Step 5: Connect the power supply cable of the host box with the adapter.

Step 22: (Recess mounted into wall - Method A)

Step 23:



Recess Mounted Into Wall

According to the wall thickness, you can choose installation method A or B.

Method A: If the wall is thin, the host box and the shower control panel can be installed in a different position.

Method B: If the wall is thick, the host box and the shower control panel can be installed in the same position.

Method A:

Step 1: Open two-hole in the wall, and reserve space for the pipes and adapter.

Step 2: Drill four holes by 6mm diameter on the upside hole for install the wall bracket (as the picture) and put the plastic screw into the hole.

Step 3: Drill four holes by 8mm diameter on the downside hole for the host box installation and put the expansion screws into the hole.

Step 4: Install the wall bracket of the control panel and the host box in two holes, according to the pipe's position to set the host box position, adjust the screw of the wall bracket to make sure it is concave the wall surface with a 0.5-1 mm difference.

Step 5: Connect the water pipe and the power supply cable of the host box, get water supply to make sure the pipe has no leak. Connect the host box control cable to the control panel hole and fasten it, using the cement to seal the wall and cover it by the tiles.

Step 6: Connect the control cable between the host box and the control panel, put some silicon on the back case of the control panel and put it on the wall bracket.

Method B: if the wall is thick

Step 1: Open one hole in the wall, and reserve space for the water pipes and power supply cable.

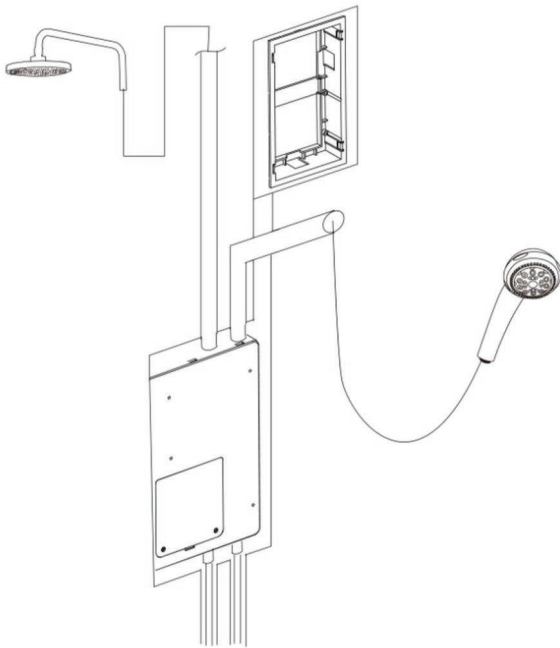
Step 2: Drill four screw holes by 8mm diameter in the hole for the host box installation and put the plastic screw into the holes.

Step 3: Fasten the control panel's bracket onto the host box by the M3 Self-tapping screws provided. Install the host box which with the bracket into the hole by the plastic screw. (according to the pipe's position to set the host box position), adjust the screw to make sure the bracket's surface is lower than the wall surface with 0.5-1 mm.

Step 4: Connect the water pipe and the power supply cable of the host box, get water supply to test the pipe no leak. Lead the host box control cable out to the control panel's bracket and temporarily fasten it. And then use the cement to seal the wall and cover by the tiles.

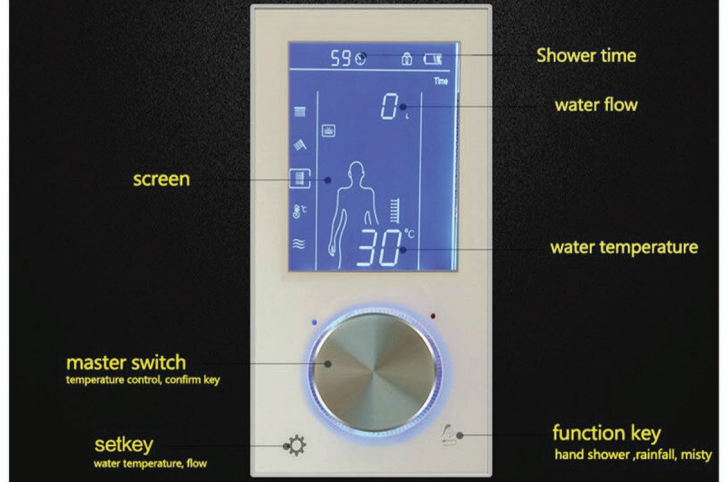
Step 5: Connect the control cable between the host box and the control panel, put some silicon on the back case of the control panel and put it on the wall bracket.

Step 24:



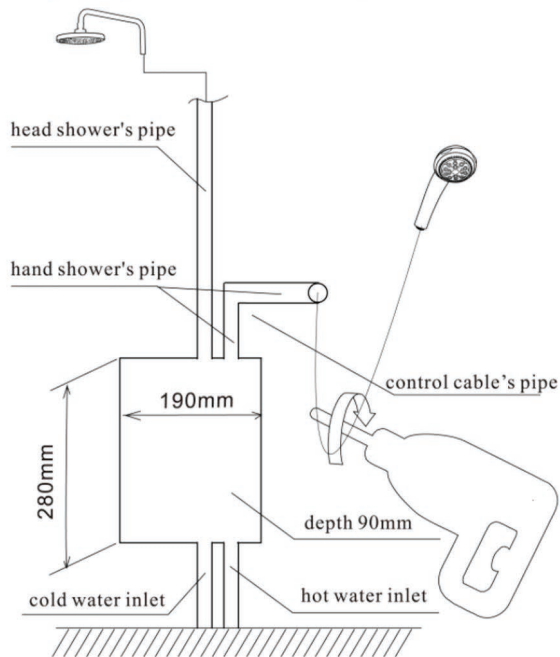
Electronic intelligent thermostat touch switch

Intelligent protection device: over **50** degree, stop working
Smart mode: your shower way you have the final say

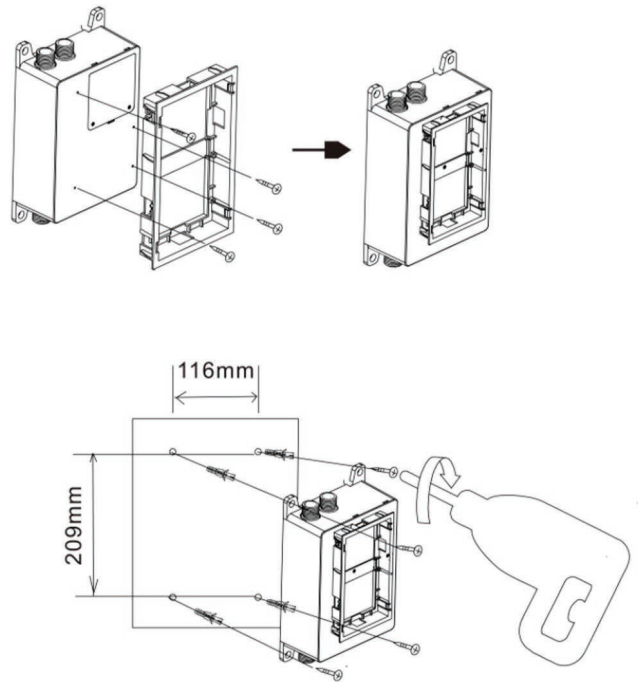


Step 25: (Method B)

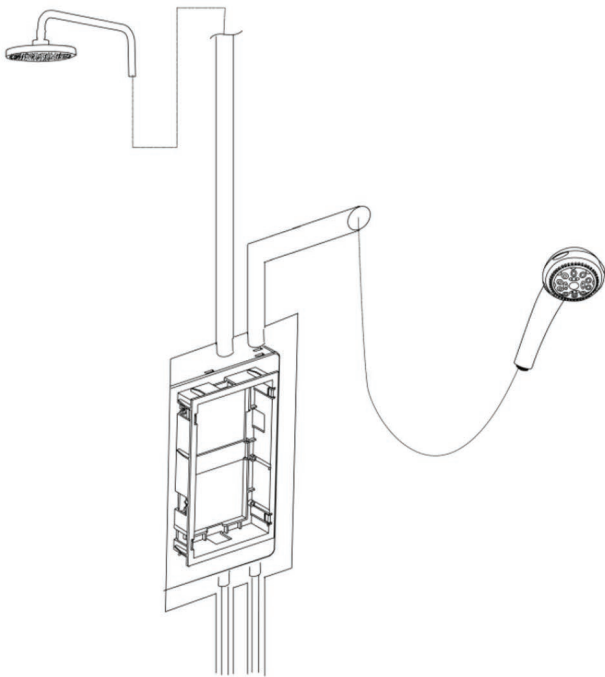
the pipes position is just for your reference



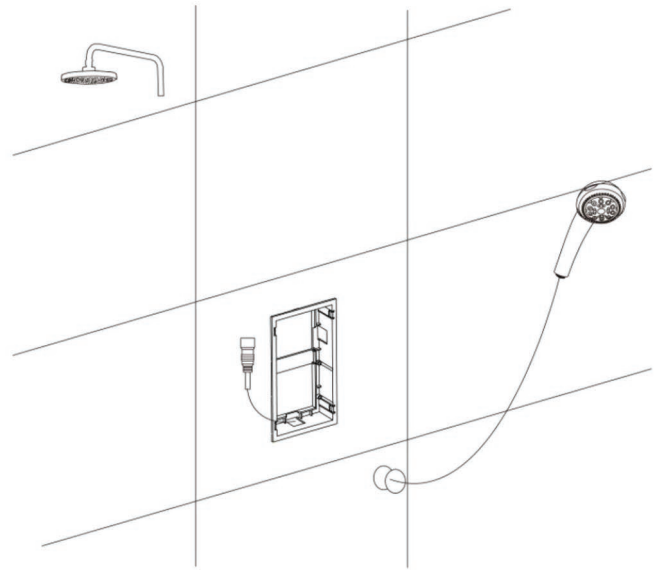
Step 26:



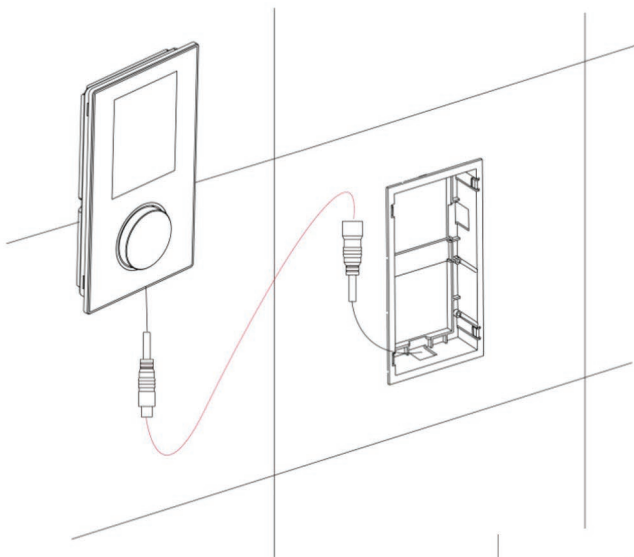
Step 27:



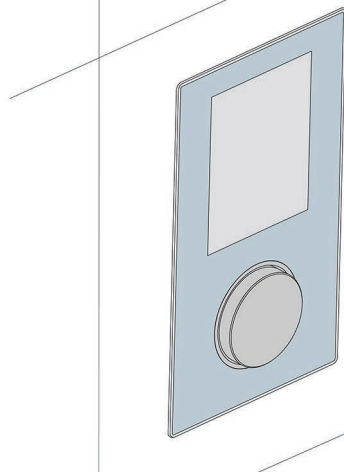
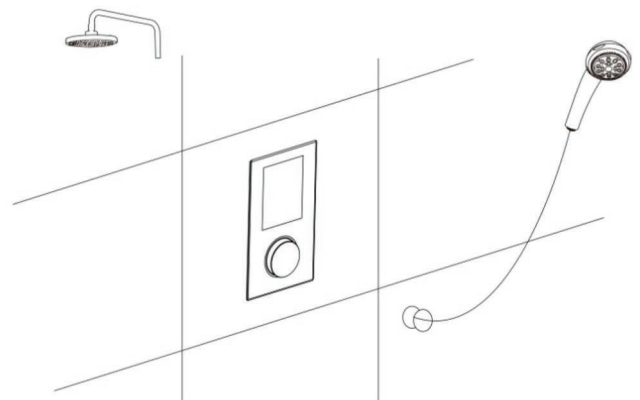
Step 28:



Step 29:



Step 30:



Operation

1. Power on/off

Power on A. After electrify (The battery without electricity or not install battery), press the fly-shuttle switch, power on and switch on the head shower automatically, adjust the thermostatic Temp function. When you hear buzzer sound, the fly-shuttle switch and LCD display would be lighting.

B. After electrify (The battery with electricity), press the fly-shuttle switch in 20 minutes from last time turn it off. When power on, open the last time spray mode and TEMP adjustable function (cold water or thermostatic function); if press the fly-shuttle switch from more than 20 minutes from last time turn it off, power on and open the head spray and TEMP adjustable function at the same time. You could hear buzzer sound, the fly-shuttle switch and LCD display would be lighting.

C. When system is on, Water TEMP and water flow will be same as that you set last time. Head shower (or hand shower) shows cursor and icon.

D. If you didn't set working time, default working time is 60 minutes.

Power off A. When system is on, press the fly-shuttle switch to power off system, you can hear buzzer sound. B. The system will switch off automatically when working time comes up.

Hand shower and head shower switch When the system is on, press Spray button on the panel to switch the water outlet way between the head shower and hand shower. When cursor and frame move to the head shower icon, the head shower comes water. When cursor and frame move to the hand shower icon, hand shower comes water.

Setting When the system is on. rotate the fly-shuttle switch to adjust the water flow, press the Setting button to adjust water TEMP and water flow. Press the Setting button and keep for 3 seconds to set working time. System will restore to adjust water flow if no press any button for 5 seconds.

Setting system on time When system is on, touch Setting panel switch to system on setting, show Time icon. Rotating the fly-shuttle to setting system on time, counterclockwise rotation is to reduce and clockwise rotation is to increase, setting range is 15-60 minutes. You can hear a buzzer sound for each adjustment.

Stop setting for 5 seconds or touch Setting button, system on setting time TEMP will be memory and exit system on-time setting, switch to water flow setting, close Time, icon.

Water TEMP adjust and cold water mode

When system is on, touch Setting button to enter into TEMP adjusting, cursor and frame will move to TEMP cold icon. The °C icon on the LCD panel flash, at this time you could set water TEMP from 29-48 °C. Rotate the fly-shuttle to adjust water TEMP and you can hear buzzer sound for each step.

When the TEMP is lowest, rotating the fly-shuttle switch one round counter-clockwise to enter into cold water mode, cursor and frame will move to the cold water icon. You can hear buzzer sound when system enter into cold water mode. If you rotate the fly-shuttle switch one round clockwise, system will enter into the water TEMP adjusting again.

If there's no touch on the panel for 5 seconds, water TEMP will be memory and exit the water TEMP adjusting. Touch Setting button again to enter into water flow adjusting. °C icon on the LCD panel will stop flashing. The fly-shuttle switch backlight color will change according to the water TEMP as below.

blue color water TEMP < 33 °C blue;

orange color water TEMP < 41 °C;

red color >= 41 °C.

Water flow

When system is on, rotating the fly-shuttle switch to adjust water flow by default, if system on other setting state, touching Setting button can switch to water flow setting. Cursor and frame will move to the water flow icon . L on LCD panel flash, setting range is 4-18L Rotating the fly-shuttle switch to adjust water flow, counter-clockwise rotating is to reduce flow and clockwise rotating is to increase flow. You can hear a buzzer sound for each adjustment. When water flow reaches the lowest and highest, no buzzer sound.

No touch on any button for 5 seconds, the water flow value will be saved. Or when you touch Setting button, water flow value will be saved and switch to TEMP adjusting.

Working time setting

When system is on, keep pressing Setting button for 3 seconds, system will enter into the working time setting icon Time will be shown on the LCD panel. Rotating the fly shuttle switch to adjust the working time. The time range is 15-60 minutes. You can hear a buzzer sound for each adjusting. No touch on any button for 5 seconds or press Setting button, working time value will be saved and switch to TEMP adjusting.

Count down display

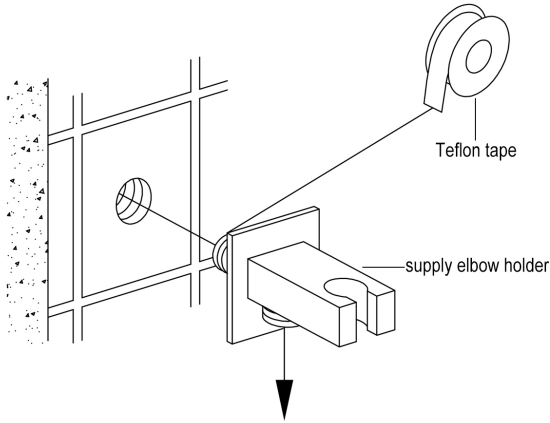
When system is on. the LCD panel shows count down for 60 minutes if the head shower or hand shower is open.

Abnormal alarm

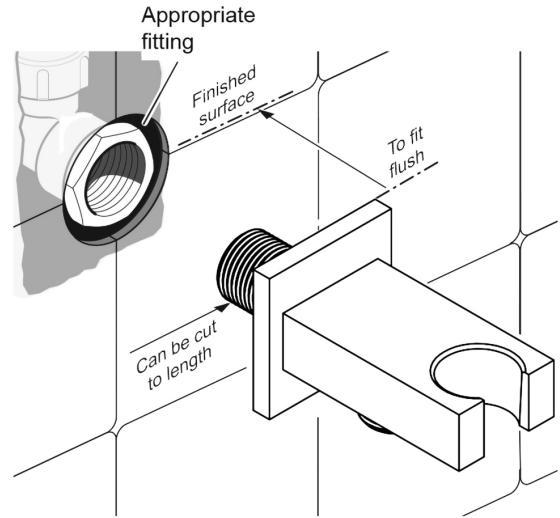
When water TEMP is over 49 Celsius degree, system will stop working and no water outlet automatically. You could hear 3 times of buzzer sound. And the LCD panel shows error code TE".

Hand-Held Shower Installations Instructions

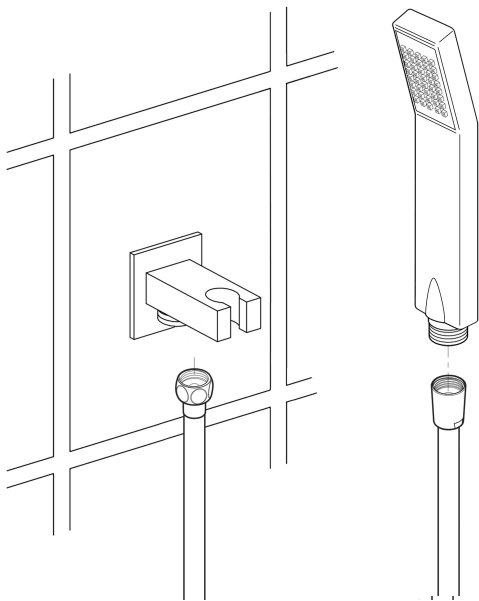
Step 1



Step 2



Step 3



Product Image

Hand Shower Outlet Installation

• Complete the outlet pipework ensuring it ends in an appropriate 15mm x 1/2" BSP female thread elbow. Note: This fitting is not supplied as variations in installations require the selection of a suitable solder or compression fitting.

• Install the 'Wall Outlet', thread long male 1/2" BSP into the appropriate female fitting using PTFE tape to give a watertight joint.

Note: The thread can be cut to size if required. Make sure that all debris is removed from the connector and the section that has been cut is dressed correctly, before installation.

The minimum required water pressure is 0.05 MPa (0.5 bar).

Flow rate 2.5 GPM (9.5 LPM).

General Information

All products manufactured and supplied by Fontana are safe and comply to legislative requirements. Providing they are installed correctly and receive regular maintenance in accordance with these instructions your user experience will not be affected

Care & Cleaning

1. The product can be cleaned with warm water, a mild soap and a clean soft cloth.
2. Clean progressively and gently.
3. It is not required to use any abrasive cleaning pads, wire wool or cloths to clean the product.
4. Avoid a vigorous cleaning action, as this could contribute to denaturing and dulling
5. Abrasive or strong cleaning products containing ammonia, bleaches, alcohol, dyes, acids (hydrochloric, formic, phosphorus, chlorine or acetic) will be not be affected.
6. If using a spray cleaner, apply the cleaning agent onto a soft cloth, never directly spray onto the product as the cleaner may enter gaps and openings and cause damage. Do not allow the cleaner to remain on the product for a period of time. After cleaning, rinse thoroughly with clean water.

