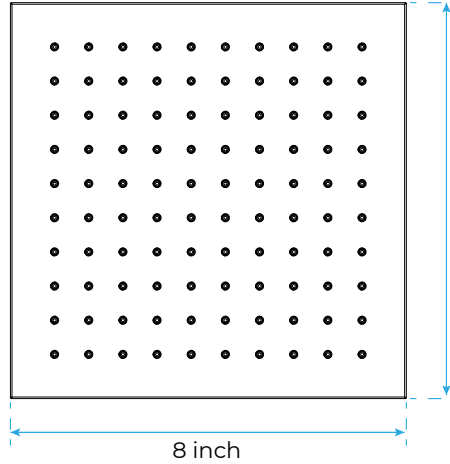


SQUARE WALL SHOWER WITH JET SPRAY AND HANDSHOWER SPECIFICATIONS



Shower Head

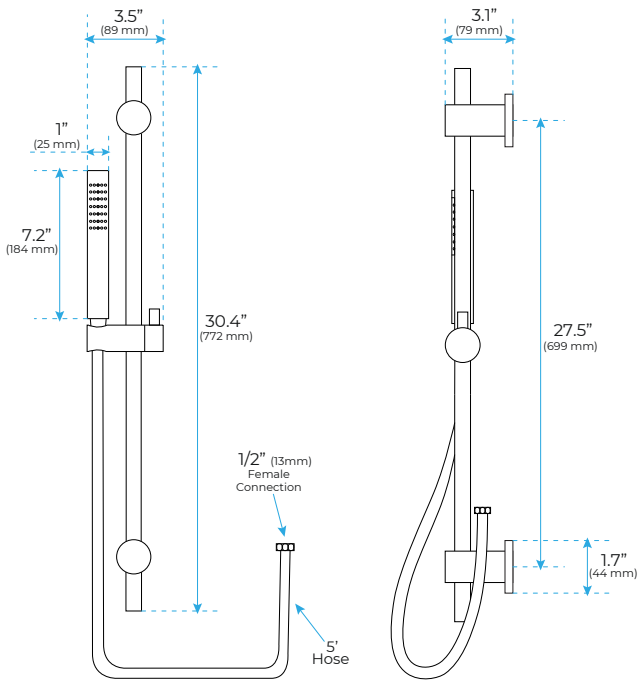


8 inch

1/2" NPT inlets
Easy clean nozzles
Flow Rate: 9.5L/min 2.5 GPM

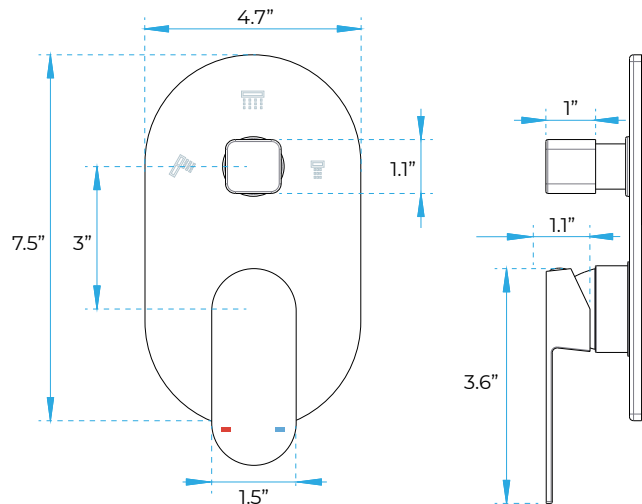
8 inch

Hand Shower

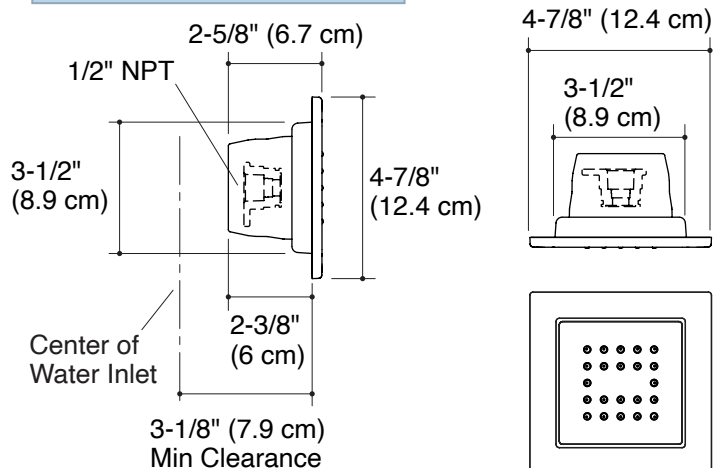


- Slide Bar Length: 30.4"
- Slide Bar Outside Diameter: 0.4"
- Slide Bar Centers: 27.5"
- Slide Bar Base Plate Diameter: 1.7"
- Hand Shower Length: 7.2"
- Hand Shower Width: 1"
- Hand Shower Spray Length: 1.4"
- Hand Shower Spray Width: 0.4"
- Hand Shower Hose Length: 60"

Shower Mixer



Body Jets



All dimensions and specifications are nominal and may vary. Use actual products for accuracy in critical situations.