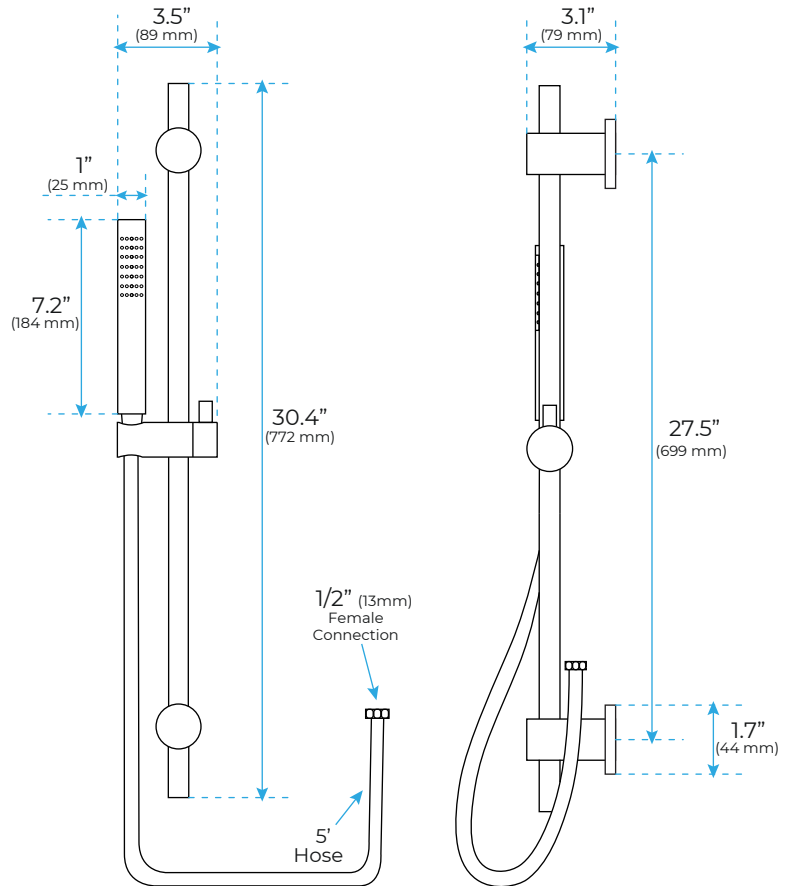


## BRUSHED NICKEL CEILING MOUNT RAINFALL SHOWER SET WITH DIGITAL THERMOSTAT MIXER JET SPRAY & HANDSHOWER SPECIFICATIONS

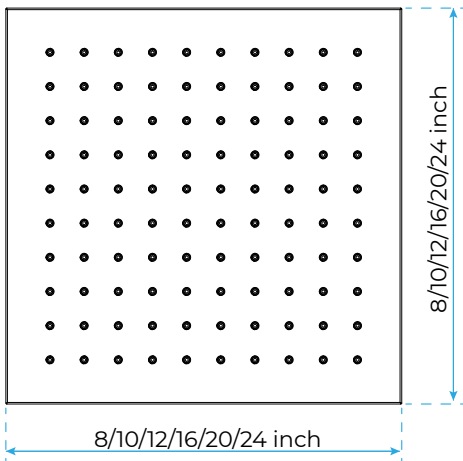


### Hand Shower



- Slide Bar Length: 30.4"
- Slide Bar Outside Diameter: 0.4"
- Slide Bar Centers: 27.5"
- Slide Bar Base Plate Diameter: 1.7"
- Hand Shower Length: 7.2"
- Hand Shower Width: 1"
- Hand Shower Spray Length: 1.4"
- Hand Shower Spray Width: 0.4"
- Hand Shower Hose Length: 60"

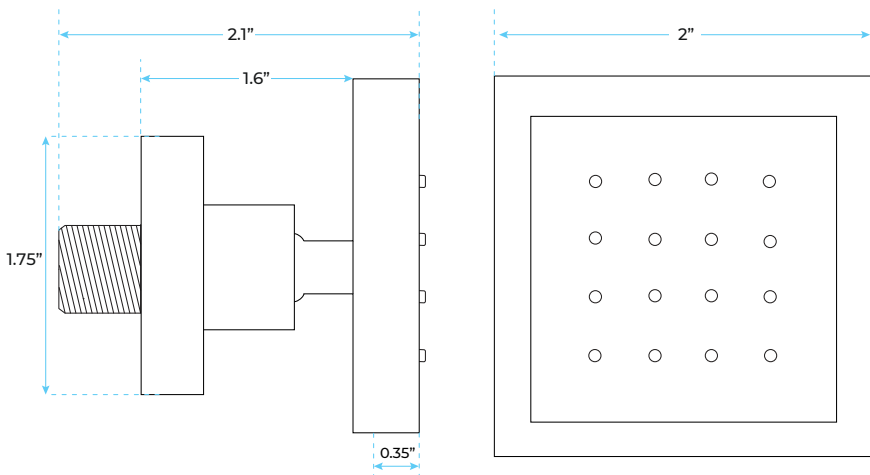
### Shower Head



Available in multiple sizes

Flow Rate:  
1.8 gpm (6.8 l/min) @ 80 psi

### Body Jets



- Thread Interface Size: G 1/2 Inch
- Type: Fixed Rotatable Type
- Installation Type: Wall Mounted
- Material: Brass
- Feature: Can rotate 360 degrees
- Flow Rate: 1.5 GPM / 5.7 LPM (each Bodyspray)

All dimensions and specifications are nominal and may vary. Use actual products for accuracy in critical situations.