

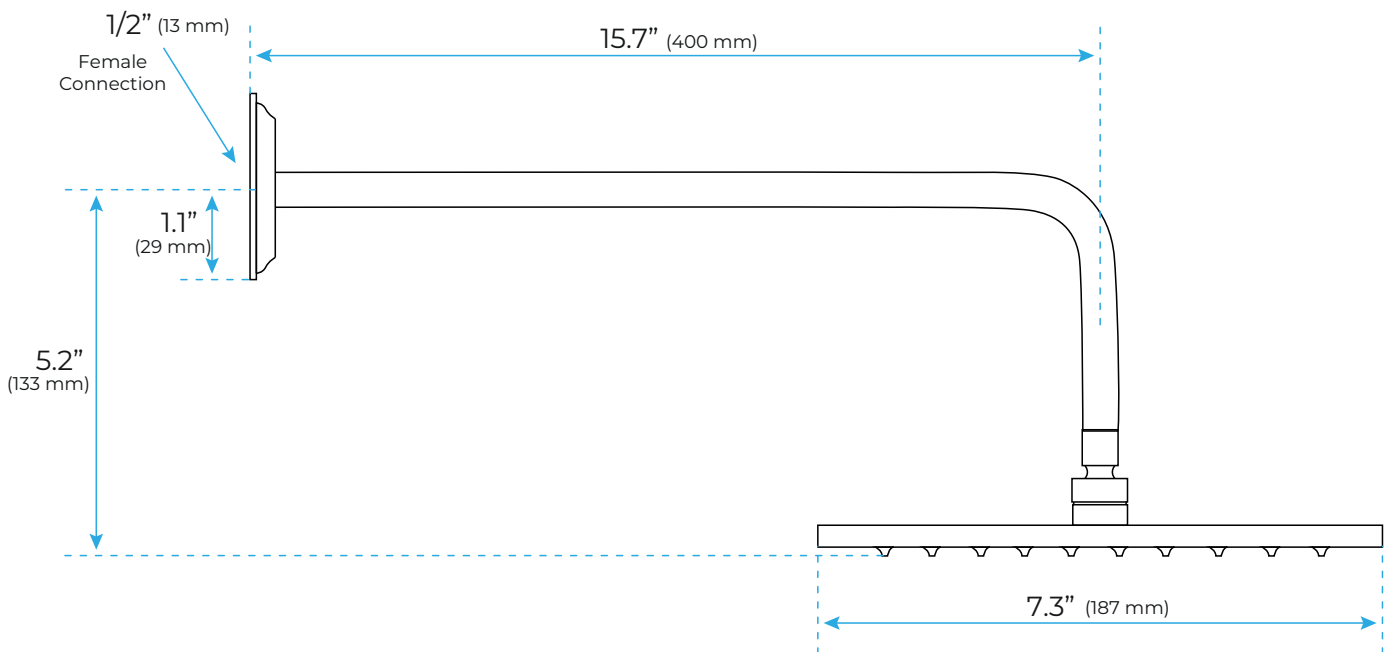
FONTANA LIMA WALL MOUNT RAINFALL SHOWER SYSTEMS SPECS



Specifications

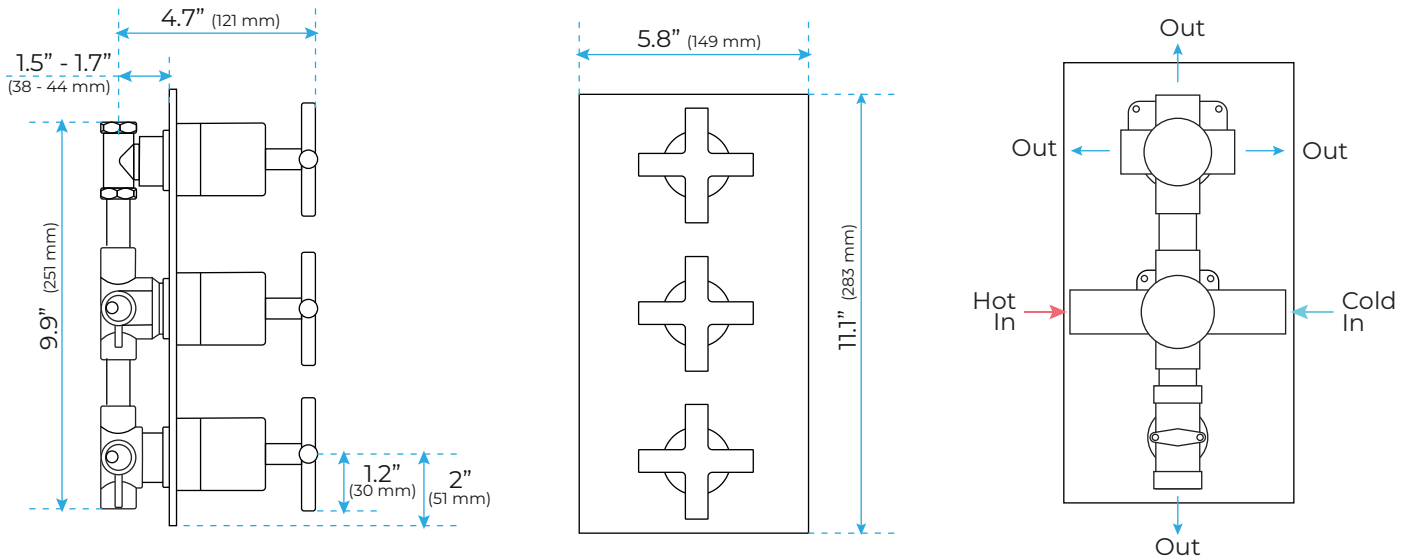
INSTALLATION TYPE: WALL MOUNT
 FINISH: LIGHT OIL RUBBED BRONZE
 HANDLE TYPE: KNOB
 WATER CONNECTION INCLUDED: YES
 SHOWER ARM EXTENSION: 16"
 HANDLE MATERIAL : BRASS

Shower Head Size:

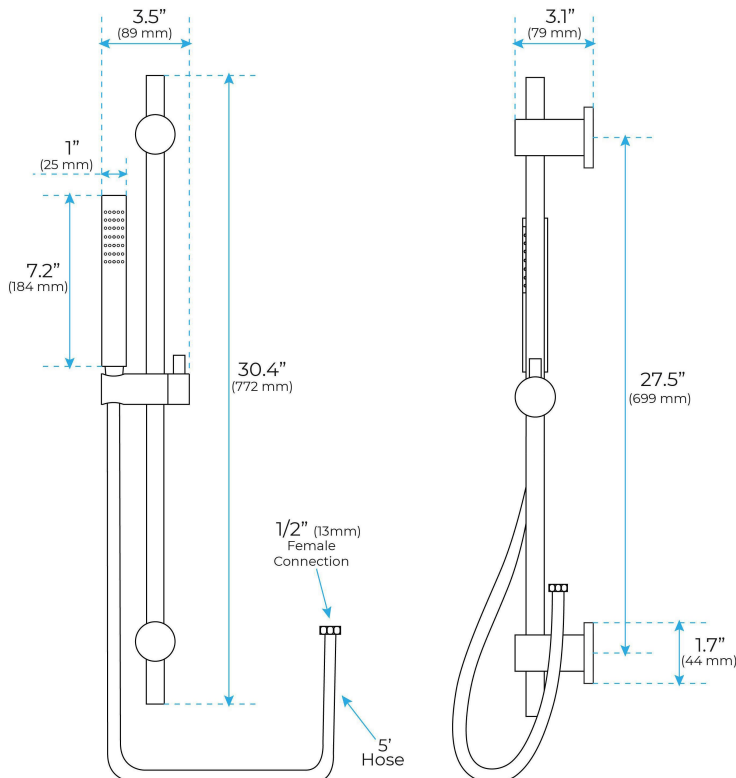


Size options - 8, 10, 12, 16, 20 (inches)
 Flow Rate
 1.8 GPM / 6.8 LPM (rain Shower)

Mixer Size :

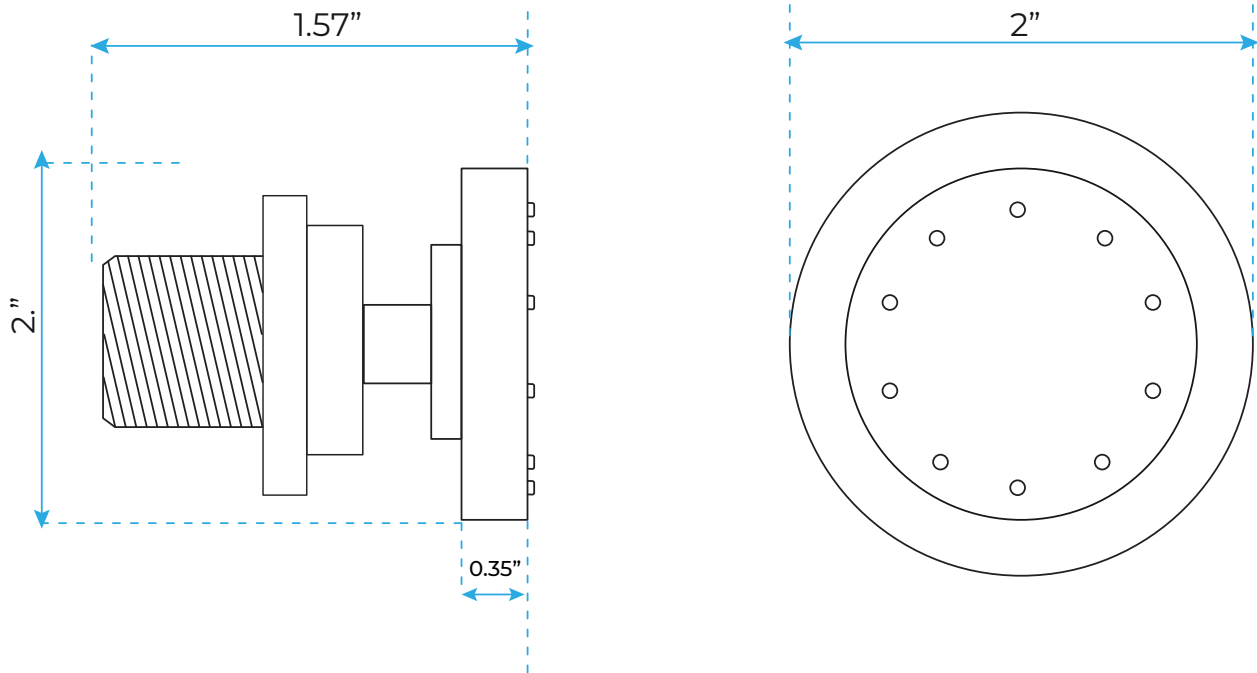


Hand Shower Size:



Slide Bar Length: 30.4"
 Slide Bar Outside Diameter: 0.4"
 Slide Bar Centers: 27.5"
 Slide Bar Base Plate Diameter: 1.7"
 Hand Shower Length: 7.2"
 Hand Shower Width: 1"
 Hand Shower Spray Length: 1.4"
 Hand Shower Spray Width: 0.4"
 Hand Shower Hose Length: 60"
 Flow Rate
 2.0 GPM / 7.6 LPM

Body Jets Size:



Thread Interface Size: G 1/2 Inch
 Function: Rainfall
 Type: Fixed Rotatable Type
 Installation Type: Wall Mounted

Size: 50* 50 mm(2 inch)
 Material: Brass
 Feature: Can rotate 360 degrees
 Flow Rate: 1.5 GPM / 5.7 LPM (each Bodyspray)

Mixer Connection:

