

FONTANA ATLANTA SHOWERS RV EXTERIOR SHOWER BOX KIT INSTALLATION INSTRUCTIONS



PRIOR TO INSTALLATION

Please read installation instructions below. All plumbing should be installed in accordance with applicable building codes and regulations.

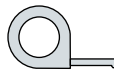
Unpack and inspect the items for any shipping damages. If you find damages, do not install.

All products must be installed by a professional and certified plumber otherwise warranty may be voided.

POSSIBLE TOOLS REQUIRED*



Plumbers Tape



Tape Measure



Level



Adjustable Wrench



Hex Wrench



Thread Sealant



Drill



Pencil or Marker



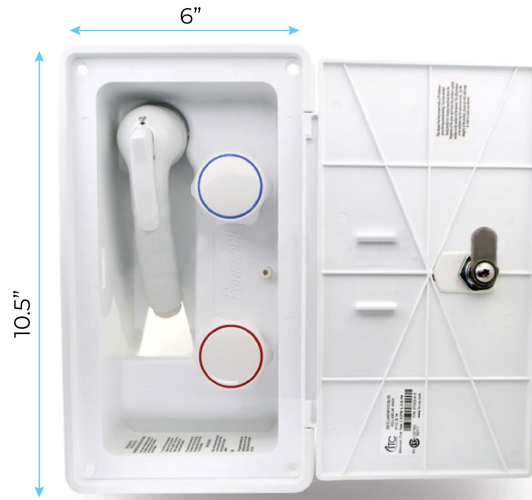
Screwdriver

*not included

Technical Information

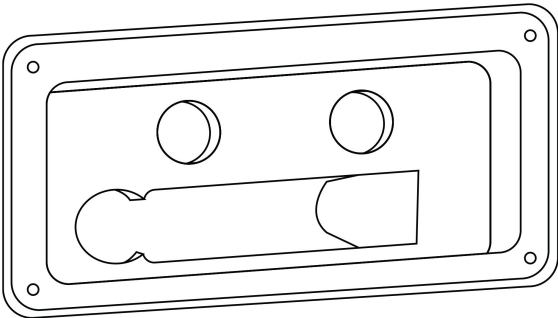
- 1, designed for use in pressure regulated portable water System with a maximum operating pressure of 40psi.
- 2, Maximum flow rate with valves fully open -2.5 gpm.
- 3, do not let freeze.
- 4, do not directly connect to a residential high pressure water supply.

Faucet Size

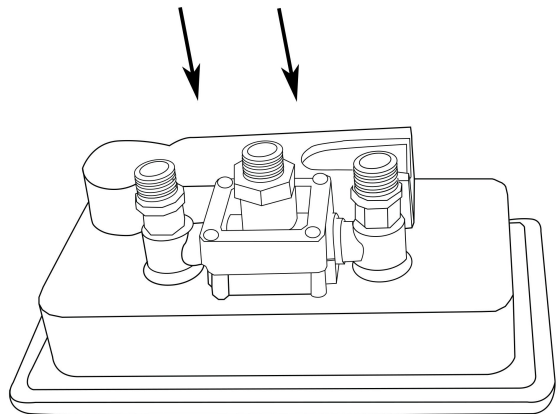


Installation Instructions

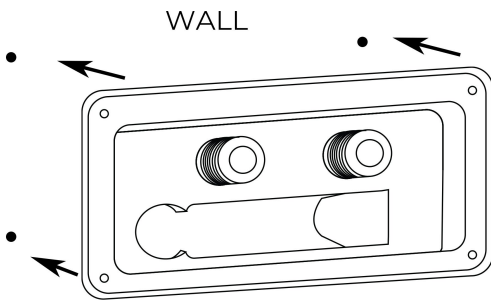
Step 1:



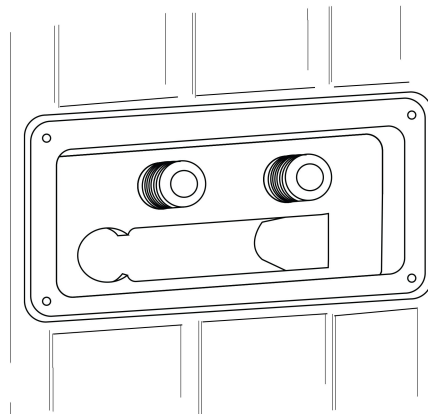
Step 2:



Step 3:

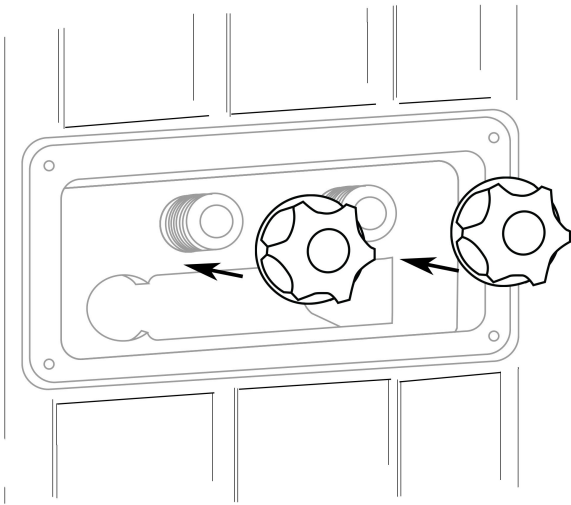


Step 4:

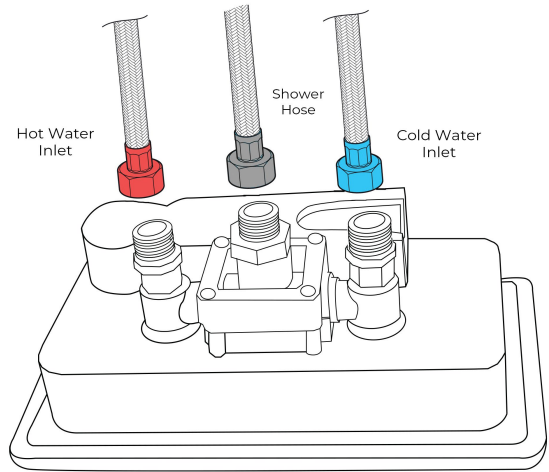


All dimensions and specifications are nominal and may vary. Use actual products for accuracy in critical situations.

Step 5:



Step 6:



- 1, choose a flat area and have a minimum of 10 " Rear clearance for hose and water connections.
- 2, using the dotted line on this sheet as a template, cut the
- Opening for the main body of the shower.
- 3, connect the female spray hose to the male clamp
- Mounting at the back of the shower using Teflon tape.
- 4, insert the shower and drill the screw holes with a 1/8 "bit.
- 5, Caulk the mounting flange with suitable weather resistance, Flexible sealing material.
- 6, Drive # 8 flat head screws until secure.
- 7, Connect the set of faucets to the on-board water system.
- 8, Attach the hose and the shower head.

