

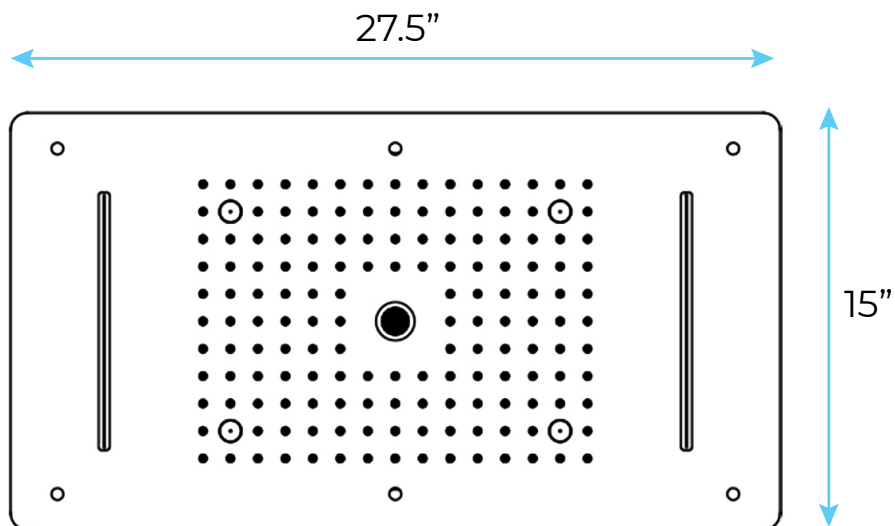
## FONTANA LIVORNO RECESSED RAINFALL LED SHOWER SYSTEM SPECS



### Specifications

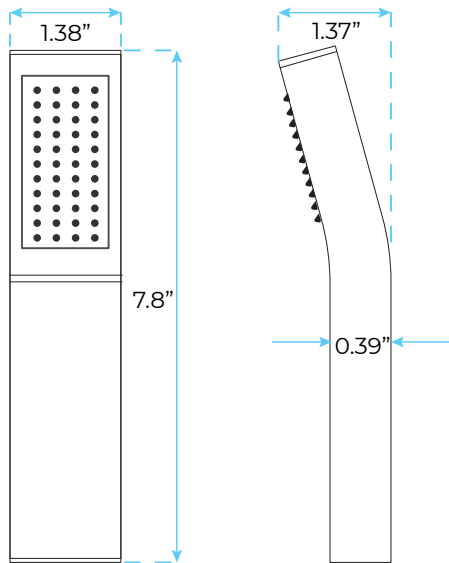
Valve Material: Ceramic Valve  
Water pressure: 0.8mpa  
Finish : Chrome  
Cold and Hot Switch: Yes  
Shower Mixer Feature: 5 function  
VOLTAGE: 90-250V

### Shower Head Size:



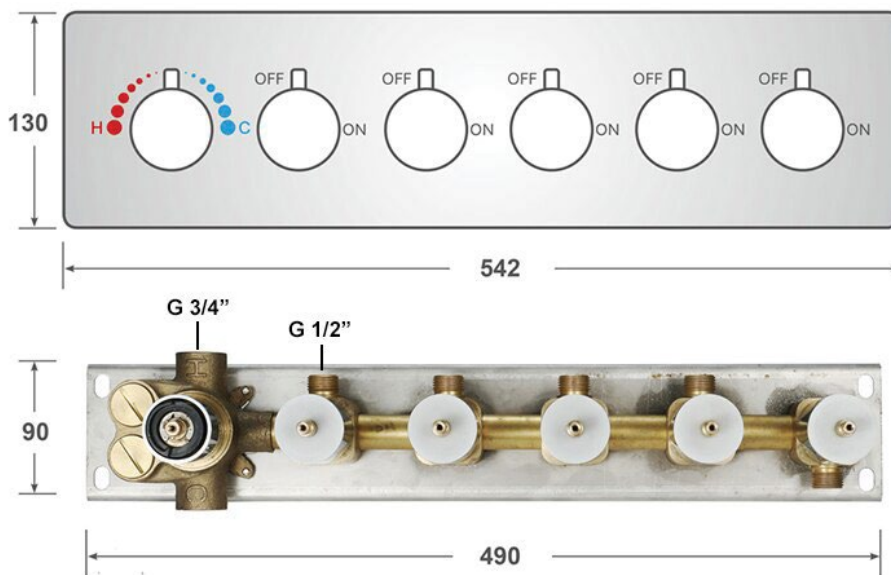
Flow Rate  
1.8 GPM / 6.8 LPM (rain Shower)

## Hand Shower Size:



The minimum required water pressure is 0.05 MPa (0.5 bar).  
Flow rate 2.5 GPM (9.5 LPM).

## Mixer Size:



Unit:mm