

CHICAGO HAMMERED BRASS COPPER INDOOR SOAKING BATHTUB INSTALLATION INSTRUCTIONS



PRIOR TO INSTALLATION

Please read installation instructions below. All plumbing should be installed in accordance with applicable building codes and regulations.

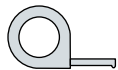
Unpack and inspect the items for any shipping damages. If you find damages, do not install.

All products must be installed by a professional and certified plumber otherwise warranty may be voided.

POSSIBLE TOOLS REQUIRED*



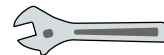
Plumbers Tape



Tape Measure



Level



Adjustable Wrench



Hex Wrench



Thread Sealant



Drill



Pencil or Marker

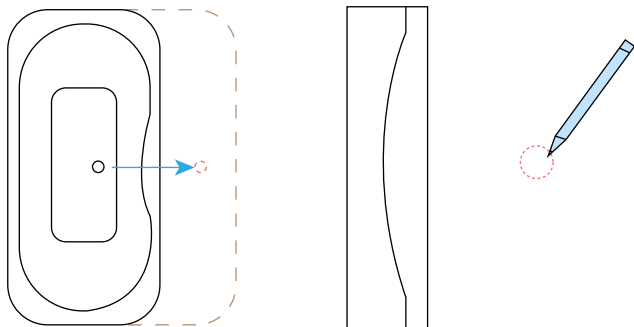


Screwdriver

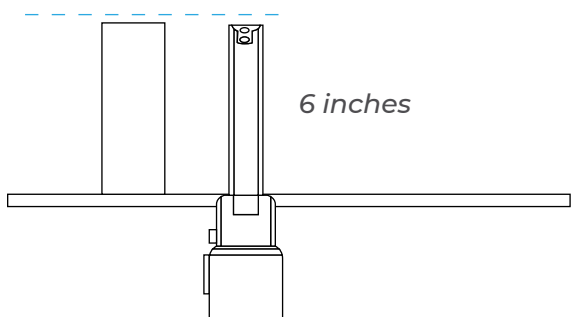
*not included

Tub and Drain without Overflow Installation

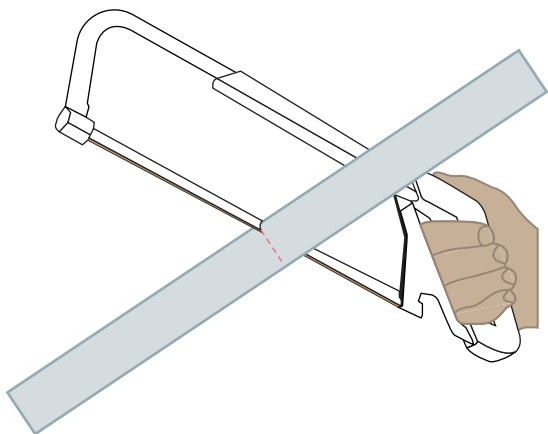
Proceed to the appropriate drain configuration to complete rough-in and installation.



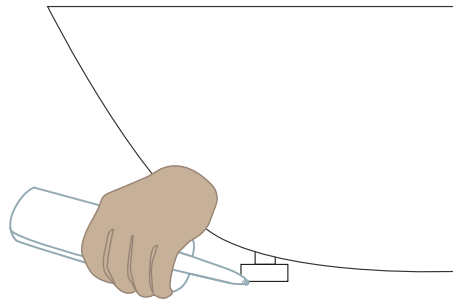
1. Set the tub in the desired installation location and mark the drain hole location on the floor.



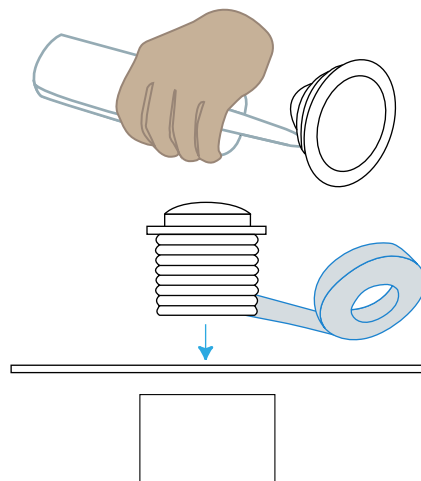
2. Move the tub away from the installation location so that plumbing can be installed. The drain pipe should extend approximately 6" above the finished floor.



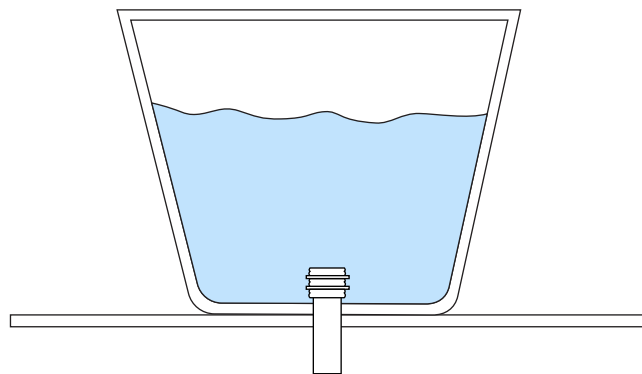
3. When the floor is finished, measure and cut the drain pipe to the appropriate length for the type of drain that is being used.



4. Carefully set the tub in position. If the tub has leveling feet, adjust as necessary until level and apply a dab of silicone under each foot. If your tub does not have leveling feet, shims can be used for leveling if your floor is not flat.

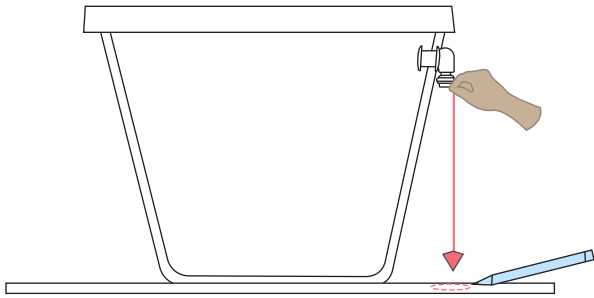


5. Apply 100% neutral cure silicone sealant to the underside of the drain flange and thread it through the tub and into the drain pipe. Apply thread sealant or plumber's tape to the threaded connection to ensure a water-tight seal. Tighten by hand. Wipe away any excess sealant using a damp cloth.

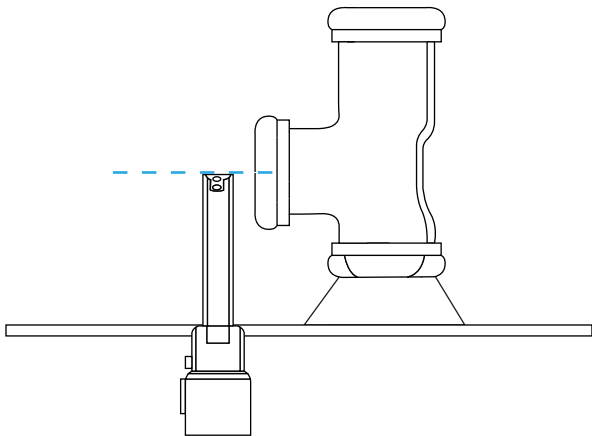


6. Fill the tub with water to check for any leaks from the connections. Verify that the drain is working properly.

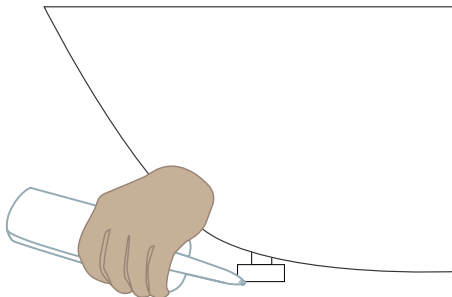
Tub and Drain with Overflow Installation



1. Set the tub in the desired installation location and drop a plumb line from the center of the overflowhole to the floor. This will determine your drain location. Mark the drain hole location on the floor.

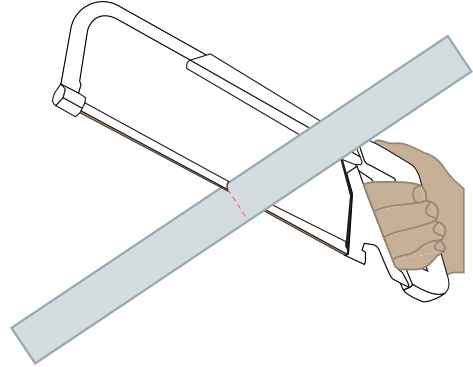


2. Move the tub away from the installation location so that the plumbing can be installed. Place the drain pipe at the appropriate height for waste and overflow piping. To determine this, you will need to temporarily fit your drain pipe into the tub and measure from the floor to the center of the drain pipe.

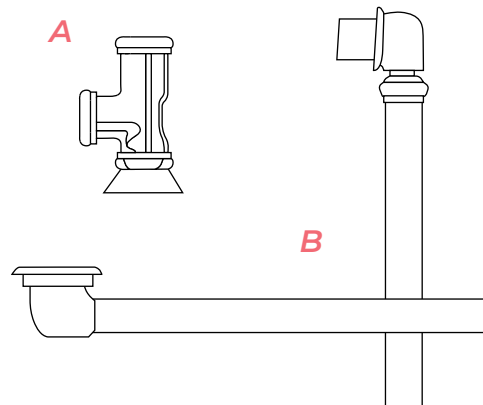


3. Carefully set the tub in position. If the tub has leveling feet, adjust as necessary until level and apply a generous amount of silicone under each foot. If your tub does not have leveling feet, shims can be used for leveling if your floor is not flat.

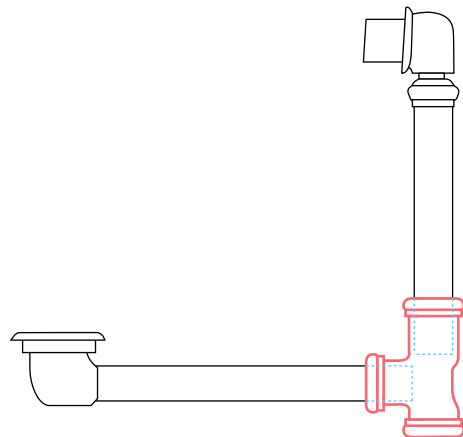
4. Next you will need to trim your drain and overflow pipes to the appropriate sizes. Steps 5-8 will walk you through.



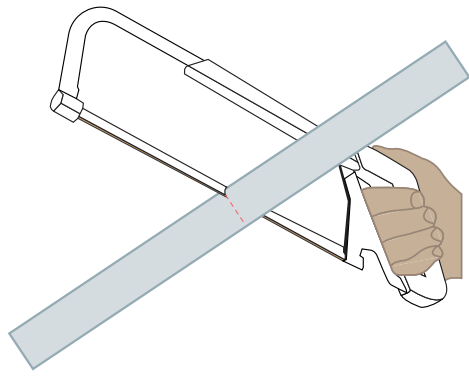
5. To trim the drain and overflow pipes appropriately, you will need to temporarily install the overflow and drain assemblies into the tub.



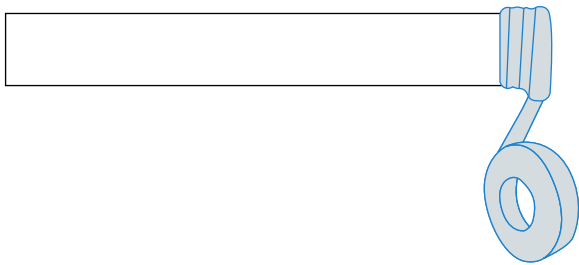
6. The overflow tee (A) will be attached at the points where the drain pipes intersect (B).



7. Measure and mark each pipe so that the end of the pipe reaches at least a little bit over halfway into the overflow tee.



8. Remove the drain and overflow assembly from the tub, and trim the pipes at the marked locations with a hacksaw. Make sure that the blade is suitable for cutting metal.

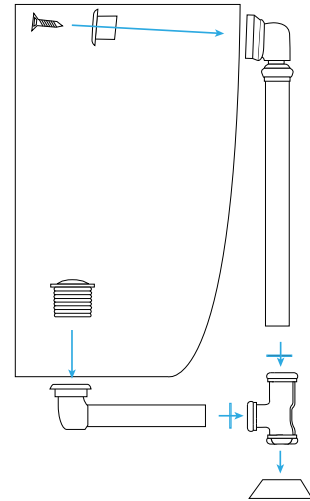


9. Apply thread sealant or plumber's tape to the threaded ends of all pipes prior to assembly. If two pipes arrive attached, be sure to take them apart and do the same. Do not apply any tape or sealant to any compression fittings. Follow steps 10-13 for drain assembly instructions.

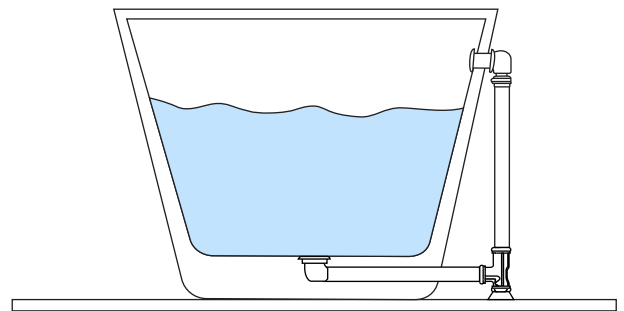
10. Apply 100% neutral cure silicone sealant to the underside of the drain flange and thread it through the tub and into the drain pipe. Apply thread sealant or plumber's tape to the threaded connection to ensure a water-tight seal. Tighten by hand. Wipe away any excess sealant using a damp cloth.

11. Install the overflow assembly with the beveled washer, overflow plate, mounting screw (provided) and any other washers or rubber sealing gaskets included. If your tub came with a 'Press and Seal' overflow, the pop-up flange will be used in place of the overflow plate and screw.

12. Attach the waste and overflow tee to the overflow assembly and shoe assembly with sealing washers and slip nuts. The beveled end of the sealing washer should face the tee.



13. Attach the drain tube and flange to the waste and overflow tee with the sealing washer and slip nut. The beveled end of the sealing washer should face the tee.



14. When your tub is in place and all the connections have been made, fill the tub with water to check for any leaks from the connections. Verify that the drain and overflow is working properly.

CLEANING AND MAINTENANCE

To protect a copper finish, it is recommended that a coating of wax is applied to the surface. Most wax products have natural and added UV filters that help guard against color and finish degradation. Wax should be applied as often as necessary, depending upon usage.

It is recommended that you use a cleaner or polish that is designed specifically for copper products. You may use a gentle soap, such as dish washing liquid and warm water. We recommend the use of a soft sponge or microfiber washcloth. Do not use any abrasive cleaning pads or materials. Rinse with warm water and dry with a clean, soft cloth.

Acidic cleaners, such as lemon juice and vinegar, will strip the antique finish from the copper. Mixtures containing acidic chemicals should be avoided to preserve the finish.

Epsom, or bath salts, should not be used in copper tubs, as they will tarnish and corrode the copper's appearance.