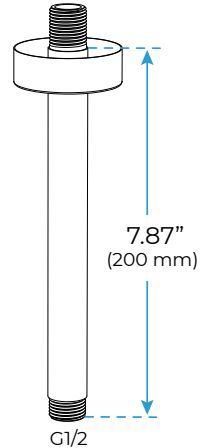
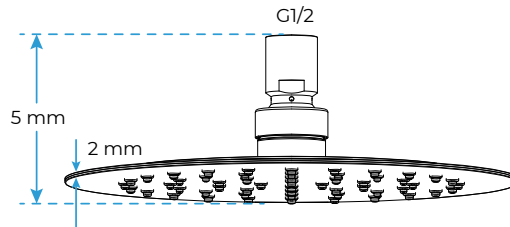


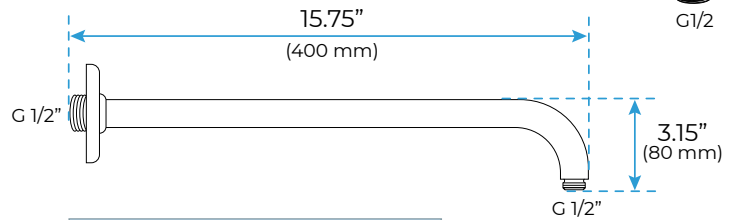
BRUSHED GOLD ROUND HEADED SHOWER SYSTEM WITH HANDHELD SHOWER SPECIFICATIONS



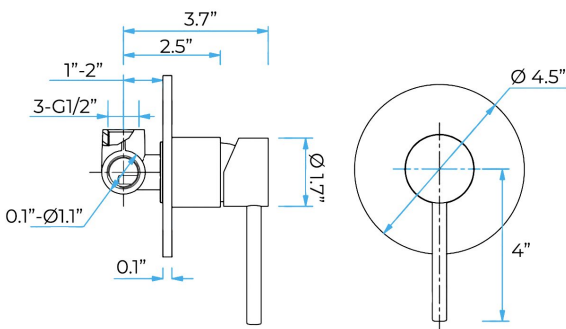
Shower Head



Available in multiple sizes



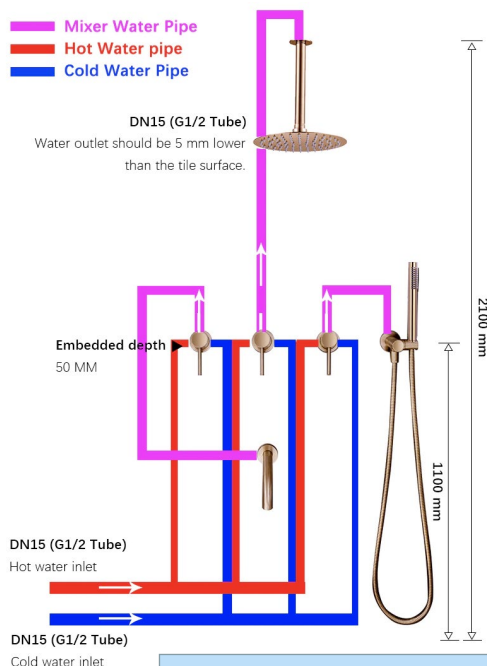
Shower Mixer



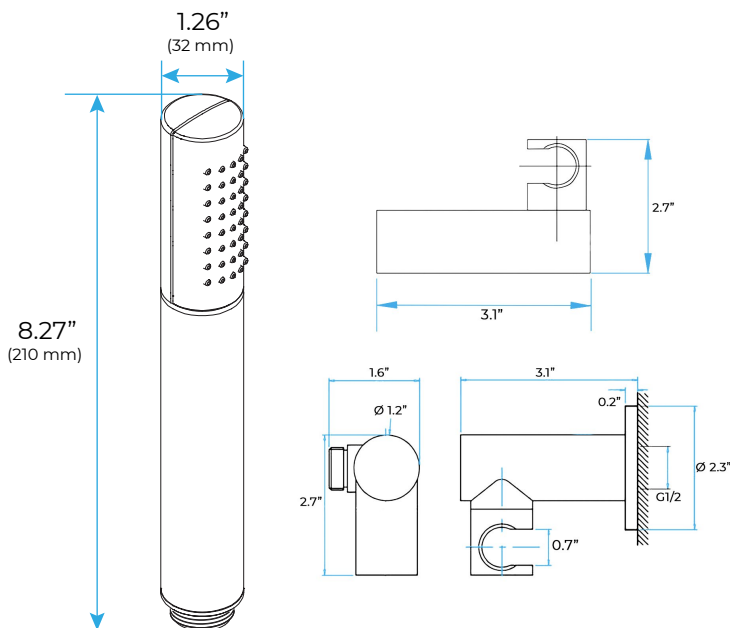
Mixer Connections

- █ Mixer Water Pipe
- █ Hot Water pipe
- █ Cold Water Pipe

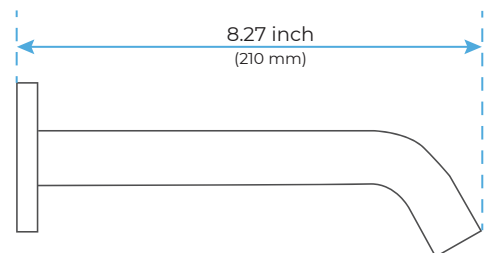
DN15 (G1/2 Tube)
Water outlet should be 5 mm lower than the tile surface.



Hand Shower



Spout



All dimensions and specifications are nominal and may vary. Use actual products for accuracy in critical situations.