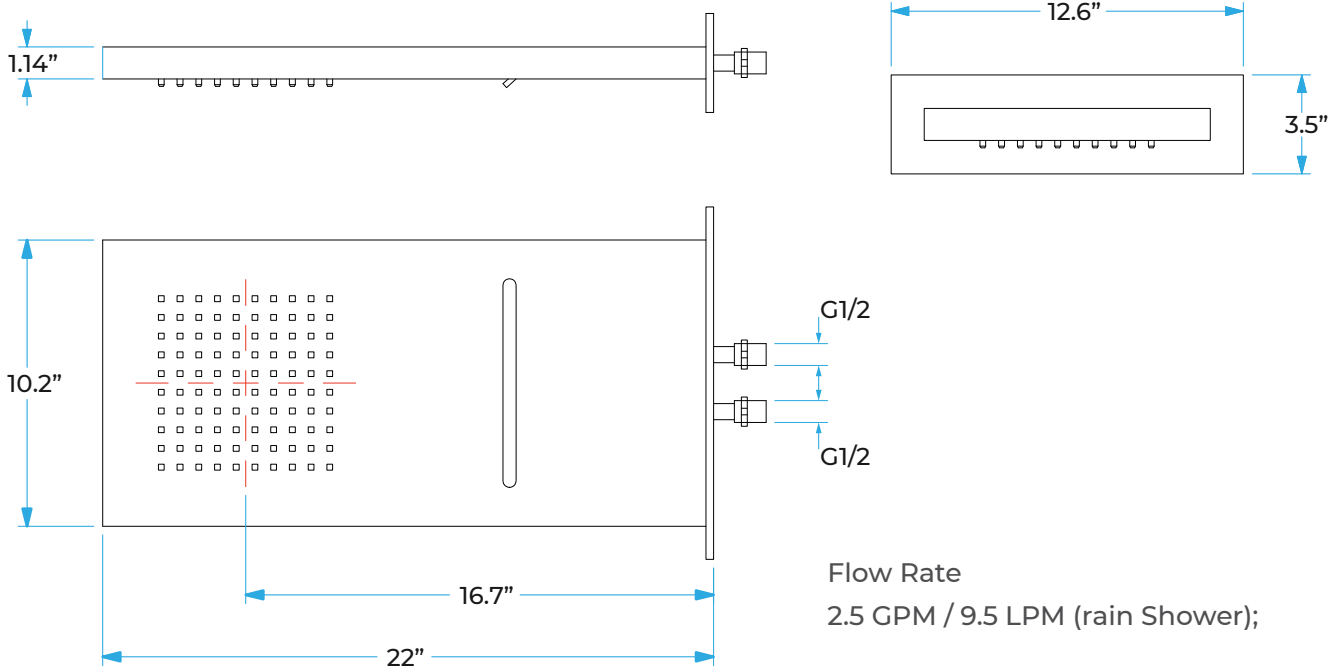


# WARSAW WATERFALL SHOWER & RAINFALL LED SHOWER SYSTEM SPECIFICATIONS



## Shower Head



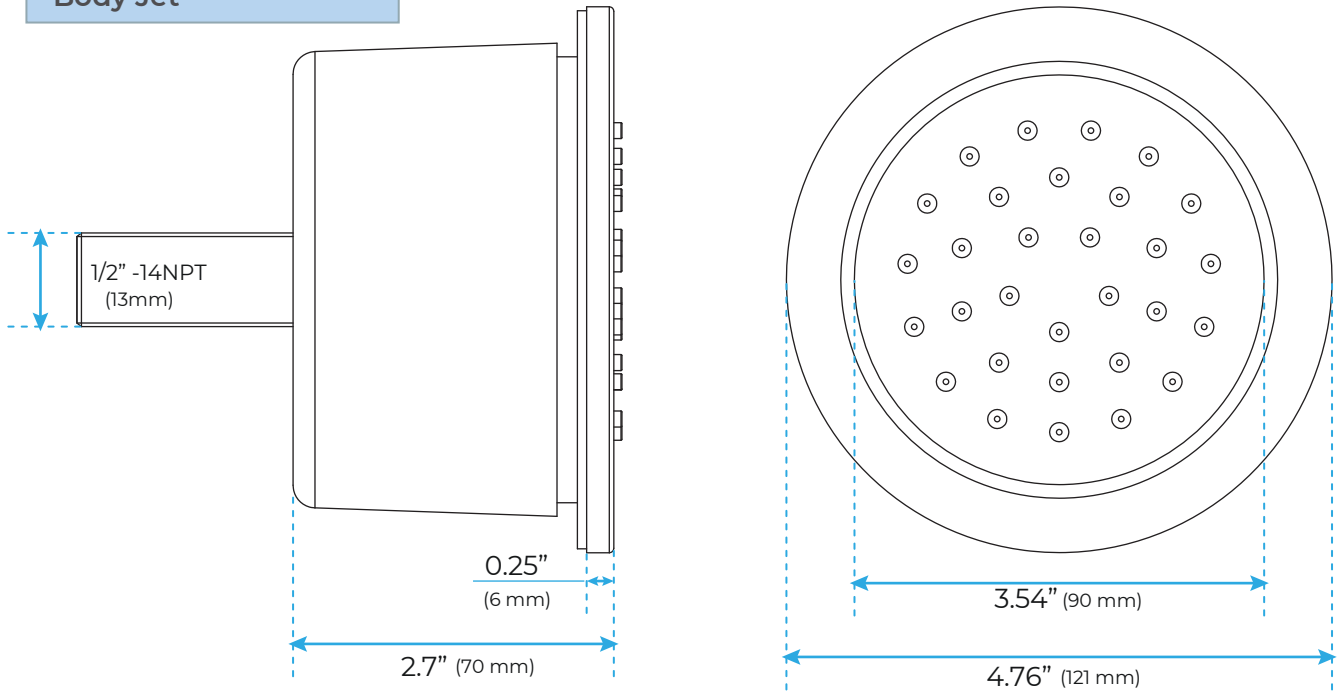
### (If you have opted for LED option)

The LED light will change its color by detecting water temperature:

- 0-30°C (32-86°F): Blue LED ■
- 30-40°C (86-104°F): Green LED ■
- 40-50°C (104-122°F): Red LED ■
- 50-100°C (122-212°F): Flashing Red LED ■ ■ ■

**Note:** The LED lights are powered by water flow, and will be activated once the water is turned on.

## Body Jet



### FEATURES

Material: Brass

Assembly Required: No

Base Plate Height: 4-3/4"

Base Plate Width: 4-3/4"

Jet Surface Area: 3-9/16"

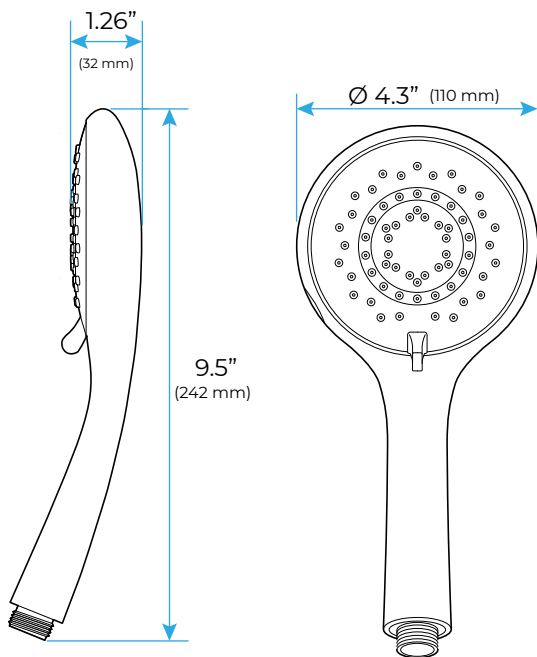
Surface Depth: 1/4"

Adjustment Angle: 7°

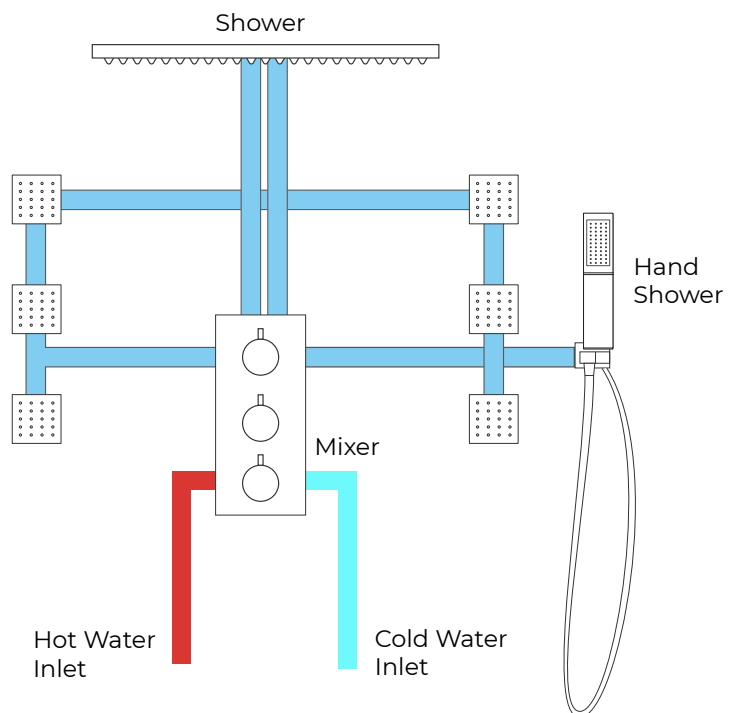
Male NPT Connection: 1/2"

Maximum Flow Rate: 2.5 gpm (9.5L/min) max @ 80 psi

## Hand Shower



## Shower Mixer Connections



All dimensions and specifications are nominal and may vary. Use actual products for accuracy in critical situations.