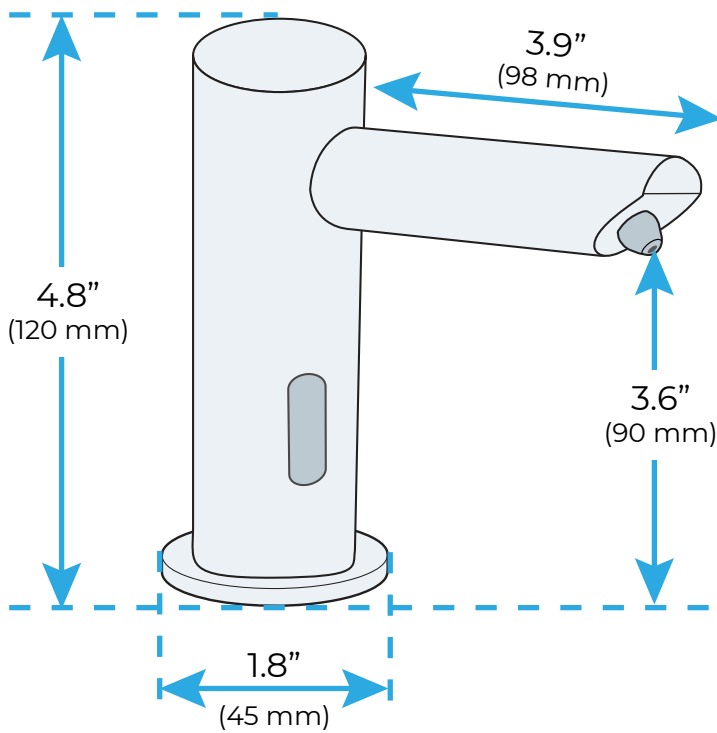


## COMMERCIAL ELECTRONIC SENSOR AUTOMATIC TOUCHLESS SOAP DISPENSER SPECIFICATIONS



- Sensor : Infrared auto-adjustable
- Spout length : 150 mm
- Electrical supply : Transformer 230/12V or battery
- Capacity : 1 L tank (6 L optional)
- Soap : Liquid soap (viscosity 100 -3800 cPs)
- Dosage : 0.7 to 0.9 cm<sup>3</sup> depending on soap viscosity
- Pump : Peristaltic pump



All dimensions and specifications are nominal and may vary. Use actual products for accuracy in critical situations.