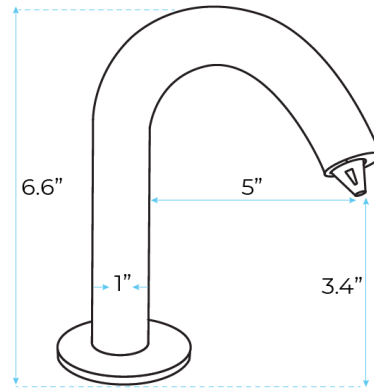


## FONTANA SENSOR DECK MOUNT COMMERCIAL SOAP DISPENSER IN POLISHED BRASS FINISH SPECS



### SPECS :

Product Type: Commercial  
 Main Construction Material: Brass  
 Mount Type: Deck  
 Handle Type: Infra-Red  
 Power Rating: 3 Amp Fuse, AC: 230V  
 DC: 1.5V  
 Batteries Required: 4 AA Batteries (not supplied)  
 Number of Tap Holes: 1  
 Valve/Cartridge Type: Solenoid Valve  
 Plumbing System Requirements: Suitable for all plumbing systems  
 Sensing Range: 2.4-3.9 in (6-10 cm)  
 Activation Time: 0.5 - 1 secs  
 Viscosity of Liquid Soap: 100-3500cp (mpA .s)  
 Isolation Included: NO

