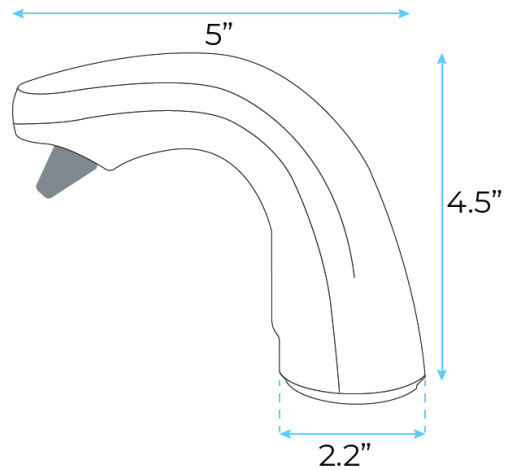


## FONTANA COMMERCIAL AUTOMATIC BRUSHED GOLD LIQUID FOAM SOAP DISPENSER SPECS



### **SPECS :**

Product Type: Commercial  
 Main Construction Material: Brass  
 Mount Type: Deck  
 Handle Type: Infra-Red  
 Input adapter: 110-240V DC 0.55A  
 Output Adapter: 15V DC 1.6A Class 2  
 Control box input: 15V DC 0.2A Class 2  
 Valve/Cartridge Type: Solenoid Valve  
 Plumbing System Requirements: Suitable for all plumbing systems  
 Sensing Range: 5 - 15cm  
 Activation Time: 0.5 - 1 secs  
 Viscosity of Liquid Soap: 100-3500cp (mpA.s)  
 Isolation Included: NO

