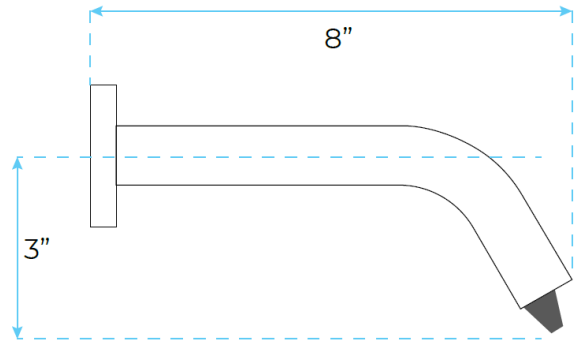


**FONTANA CONTEMPORARY STYLE SATIN NICKEL FINISH COMMERCIAL WALL MOUNT AUTOMATIC SOAP DISPENSER SPECS**



**SPECS :**

- Product Type: Commercial
- Main Construction Material: Brass
- Mount Type: Deck
- Handle Type: Infra-Red
- Power Rating: DC: 6V (4x 1.5VAA alkaline battery) AC:220V
- Batteries Required: 4 AA Batteries (not supplied)
- Number of Tap Holes: 1
- Valve/Cartridge Type: Solenoid Valve
- Plumbing System Requirements: Suitable for all plumbing systems
- Sensing Range: 15 \_ 3cm
- Activation Time: 0.5 - 1 secs
- Viscosity of Liquid Soap: 100-3500cp (mpA .s)
- Soap volume: <2m/time (Four gear)

