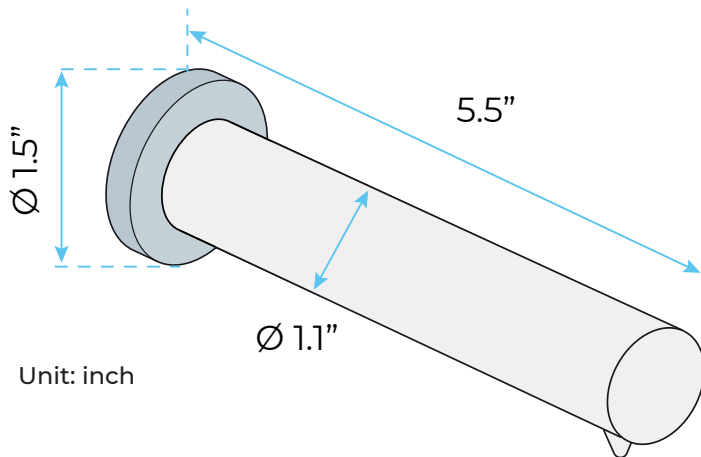


WALL MOUNT COMMERCIAL AUTOMATIC SOAP DISPENSER IN ANTIQUE BRASS FINISH SPECIFICATIONS

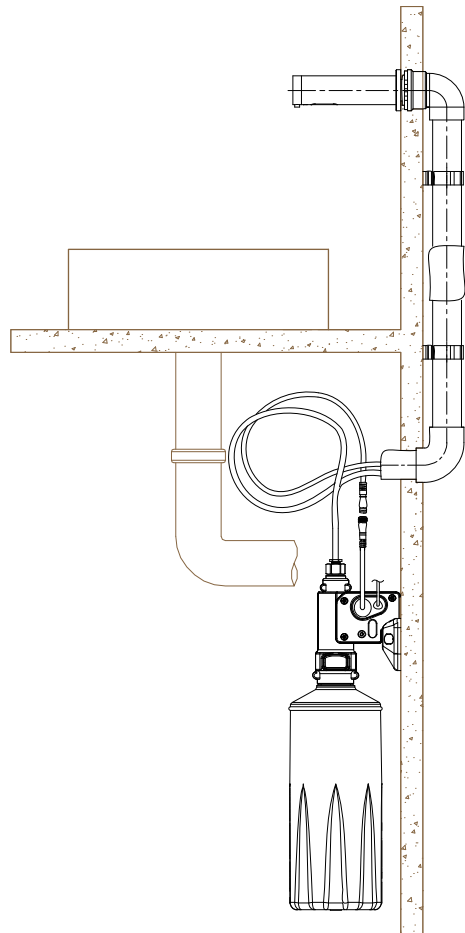


Spout: Solid Brass tube
Power: 4 (D) Batteries / AC Adapter Optional
Soap Pump: 6 Volt PERISTALTIC Pump System
Sensor type: Active Infrared, Self Adjusting
Sensing Range: 2" to 6" Adjustable with optional remote control
Working Soap: Standard liquid Soap. NO Grit (industrial) Soap
Soap Bottle Capacity: 800ML (Just Under a quart) optional 1 gallon containers
Soap Amount Per Use: 0.5ML to 1.5ML

Size



Overview



All dimensions and specifications are nominal and may vary. Use actual products for accuracy in critical situations.